

PLUMBING VALVES

BRONZE GATE VALVES

125 psi. SWP 200 psi WOG

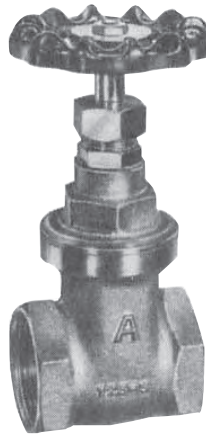
–Threaded ends –Non-rising stem –Solid wedge disc

DOMESTIC

PART #	DESCRIPTION
40300250	1/4"
40300251	3/8"
40300252	1/2"
40300206	3/4"
40300254	1"
40300255	1-1/4"
40300256	1-1/2"
40300257	2"
40300258	2-1/2"
40300259	3"

IMPORT

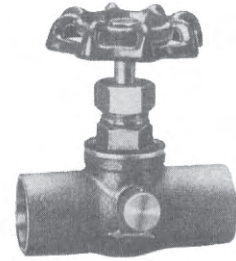
PART #
40300260
40300261
40300262
40300263
40300264
40300265
40300266
40300267
40300268



BRONZE STOP & WASTE

PART # DESCRIPTION

40300035	1/2" sweat
40300036	3/4" sweat



BRONZE GATE VALVES

125 psi. SWP 200 psi WOG

–Sweat ends

–Non-rising stem

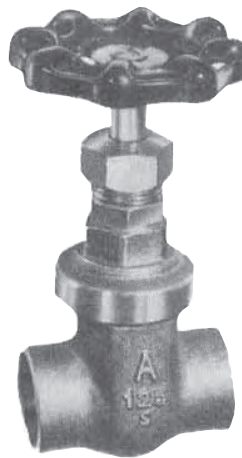
–Solid wedge disc

DOMESTIC

PART #	DESCRIPTION
40300269	3/8"
40300270	1/2"
40300271	3/4"
40300272	1"
40300273	1-1/4"
40300274	1-1/2"
40300275	2"

IMPORT

PART #
57021018
40300276
40300277
40300278
40300279
40300280
40300281

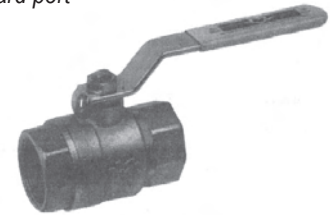


BRONZE BALL VALVES

150 psi SWP, 600 psi WOG

Teflon packing and seals

Standard port



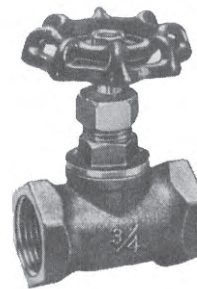
DOMESTIC

PART #	DESCRIPTION
40300090	1/4", THREADED
40300091	3/8", THREADED
40300092	1/2", THREADED
40300093	3/4", THREADED
40300094	1", THREADED
40300095	1-1/4", THREADED
40300096	1-1/2", THREADED
40300097	2", THREADED
40300308	1/4" SWEAT
40300293	3/8", SWEAT
40300098	1/2", SWEAT
40300099	3/4", SWEAT
40300100	1", SWEAT
40300101	1-1/4", SWEAT
40300102	1-1/2", SWEAT
40300103	2", SWEAT

BRONZE STOP VALVES

DOMESTIC

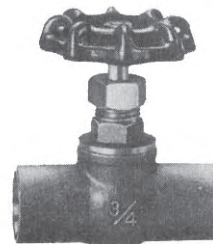
PART #	DESCRIPTION	IMPORT PART #
40300283	1/4" Iron pipe thread	
57842032	3/8" Iron pipe thread	
40300284	1/2" Iron pipe thread	57021034
40300285	3/4" Iron pipe thread	57021036



BRONZE STOP VALVES

DOMESTIC

PART #	DESCRIPTION	IMPORT PART #
40300286	3/8" sweat	
40300207	1/2" sweat	57021040
40300288	3/4" sweat	57021042



IMPORT

PART #	DESCRIPTION
57021101	1/4", THREADED
57021102	3/8", THREADED
40300205	1/2", THREADED
57021106	3/4", THREADED
40300232	1", THREADED
40300233	1-1/4", THREADED



**TOTAL
MAINTENANCE
SOLUTIONS**

HOUSTON
800/392-5066

ORLANDO
800/327-3022

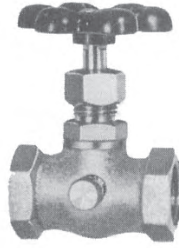
GREENVILLE
800/476-2212

LOOK FOR US ON THE WEB AT: www.TMSSouth.com

PLUMBING VALVES

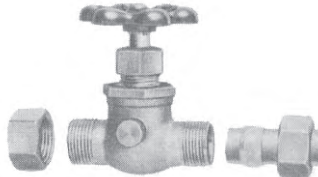
BRONZE STOP & WASTE

PART #	DESCRIPTION
57842044	3/8" Iron pipe thread
57842046	1/2" Iron pipe thread
57842048	3/4" Iron pipe thread



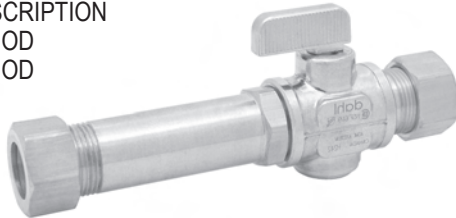
BRONZE STOP & WASTE

PART #	DESCRIPTION
40300033	1/2" Copper comp.
40300034	3/4" Copper comp.



DAHL COMPRESSION REPLACEMENT VALVE

PART #	DESCRIPTION
57841933	5/8" OD
57841935	7/8" OD

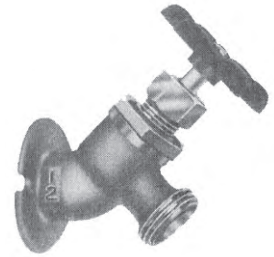


BRONZE SILLCOCK

Cast bronze body with flange

DOMESTIC

PART #	DESCRIPTION
40350063	1/2" iron pipe thread
40300064	3/4" iron pipe thread



IMPORT

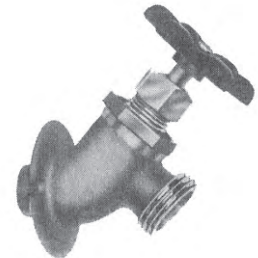
PART #	DESCRIPTION
40300234	1/2" IPS Sillcock
57021070	3/4" IPS Sillcock

BRONZE SILLCOCK

Cast body with flange

DOMESTIC

PART #	DESCRIPTION
40350065	1/2" sweat
40350066	3/4" sweat



IMPORT

57021072	1/2" Sweat sillcock
57021074	3/4" Sweat sillcock

Did You Know?

The average person spends less than 1% of his or her personal expenditure dollars for water, water waste and water disposal services.

— Source: US Environmental Protection Agency

BRASS HOSE BIBBS

Plain brass.

DOMESTIC

PART # 40300176	1/2" MIP
PART # 40350081	3/4" MIP

IMPORT

PART # 57021080	1/2" Hose bibb
PART # 57021082	3/4" Hose bibb



PVC GLOBE (STOP) VALVES

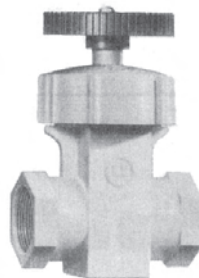
PART #	DESCRIPTION
57928212	1/2" solvent weld
57928213	3/4" solvent weld



PVC GATE VALVES

Cold fluid, rated to 150 psi @ 73°F

PART #	DESCRIPTION
57928206	1/2" solvent weld
57928200	1/2" threaded
57928306	3/4" solvent weld
57928300	3/4" threaded

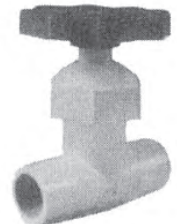


CPVC GLOBE (STOP) VALVES

Hot & cold fluids

Rated to 100 psi @ 80°F

PART #	DESCRIPTION
57928112	1/2"
57928113	3/4"



**TOTAL
MAINTENANCE
SOLUTIONS**

HOUSTON
800/392-5066

ORLANDO
800/327-3022

GREENVILLE
800/476-2212

LOOK FOR US ON THE WEB AT: www.TMSSouth.com

PLUMBING VALVES

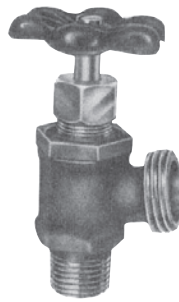
BRONZE BOILER DRAIN

DOMESTIC

PART #	DESCRIPTION
40350072	1/2" Iron pipe thread
40350023	3/4" Iron pipe thread

IMPORT

40300197	1/2" Iron pipe thread
57021078	3/4" Iron pipe thread



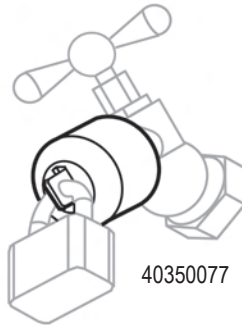
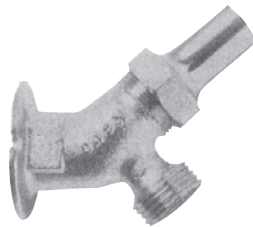
PVC BALL VALVES – SCH. 40

SLIP X SLIP	SIZE	THREAD X THREAD
PART #	SIZE	PART #
57001010	1/2"	57002010
57001020	3/4"	57002020
57001030	1"	57002030
57001040	1-1/4"	57002040
57001050	1-1/2"	57002050
57001060	2"	57002060



CHROME PLATED LOOSE KEY SILLCOCK

PART #	DESCRIPTION
40300201	1/2" Iron pipe thread
57842067	3/4" Iron pipe thread
40350077	Hose Bibb Lockout



CPVC BALL VALVES – SCH. 40

57000903	1/2"
57000905	3/4"

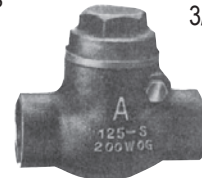
BRONZE SWING CHECK VALVES

- Bronze Body & Disc
- Side Plug
- Ratings 125 psi SWP, 200 psi WOG

PART #	DESCRIPTION
40300046	1/2" Threaded ends
40300047	3/4" Threaded ends
40300048	1" Threaded ends
57021088	1/2" Sweat ends
57021090	3/4" Sweat ends



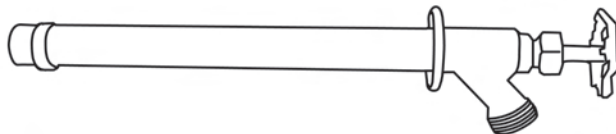
Threaded Ends
3/8" thru 3"



Sweat Ends
1/2" thru 3"

ANTI-FREEZE SILLCOCKS

PART #	DESCRIPTION
57842120	NIBCO 4" Wall anti-freeze sillcock 3/4" MPT or 1/2" FPT
57842122	NIBCO 6" Wall anti-freeze sillcock 1/2" MPT or 1/2" FPT
57842124	NIBCO 8" Wall anti-freeze sillcock 1/2" MPT or 1/2" FPT
57842126	NIBCO 10" Wall anti-freeze sillcock 1/2" MPT or 1/2" FPT
57842128	NIBCO 12" Wall anti-freeze sillcock 1/2" MPT or 1/2" FPT



"BALL-CONE" CHECK VALVES

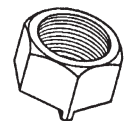
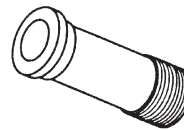
- Bronze body & guide (available in S/S)
- Stainless Steel spring
- Ball check - glass filled TFE Teflon
- Rating 125 psi SWP, 400 psi WOG
- Available from 1/4" thru 3"

PART #	DESCRIPTION
40300055	1/4"
40300057	1/2"
40300058	3/4"
40300059	1"



WATER METER NIPPLES WITH NUT AND GASKET

PART #	DESCRIPTION
55130358	1/2" x 2-3/8" - 5/8" meter
55130334	3/4" x 2-1/2" - 1" meter



PLUMBING VALVES

ADD-A-VALVE

A defective valve may be replaced or a new ball valve may be installed on Hot (220F/104C) or Cold Water, including Hot or Chilled H₂O Glycol Systems, under pressure, from 0 to 250 PSI/17 bar max., on M,L,K or *Metric copper tubing, without shutting off the water, in 30 minutes or less. (*Specify)

Pipe Size	Copper Pipe
1/2"	57491010
3/4"	57941020
1"	57941030
1-1/4"	57941040
1-1/2"	57941050
2"	57941060

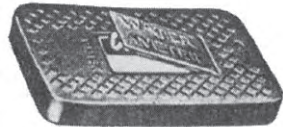
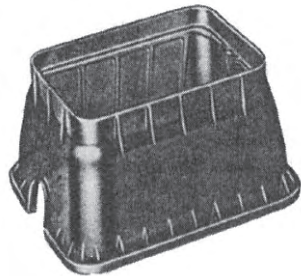
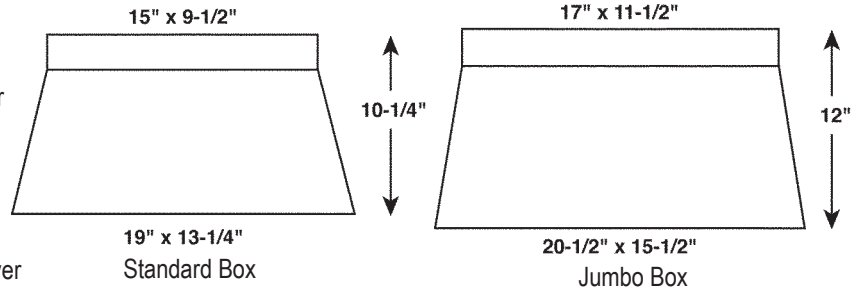
IMPORTANT:
On sizes 1-1/4"-2" on multi-story buildings, the pumps MUST be shut off prior to the Add-A-Valve Package installation



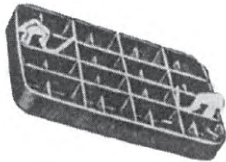
All ADD-A-VALVE's for copper are shipped with a ball valve.

METER BOX – ASSEMBLIES

PART #	DESCRIPTION
40750012	Jumbo meter box w/ reader lid cover
94022020	Standard meter box w/ green CV cover



Reader Lid Cover



Solid Cover



94023040



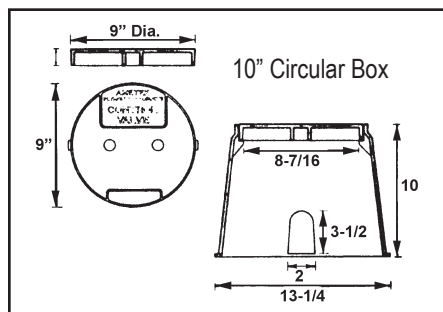
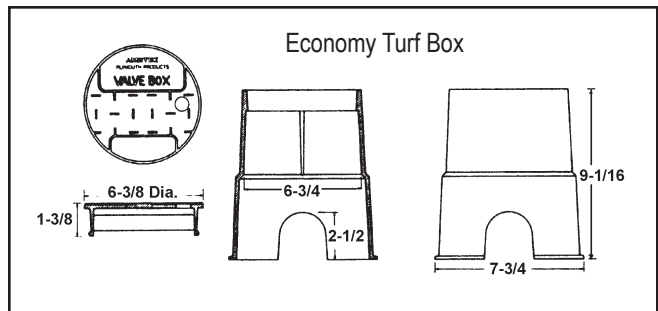
94023045

METER BOX – COVERS

PART #	DESCRIPTION
94022050	Solid cover for standard box – water
94022060	Solid cover for standard box – green CV
94022070	Reader lid cover for standard box
94022075	Reader lid for jumbo box
94022080	Solid cover for jumbo box – water
94022085	Solid cover for jumbo box – green CV

VALVE BOXES

PART #	DESCRIPTION
94022090	Economy turf box w/ cover
94022095	Cover only for economy turf
94023010	10" Circular box w/ cover
94023020	Cover only (green) for 10" circular box
94023030	Cover only (black) for 10" circular box
94023040	Snaplock unlocking tool
94023045	Cover lifting tool



**TOTAL
MAINTENANCE
SOLUTIONS**

HOUSTON
800/392-5066

ORLANDO
800/327-3022

GREENVILLE
800/476-2212

LOOK FOR US ON THE WEB AT: www.TMSSouth.com

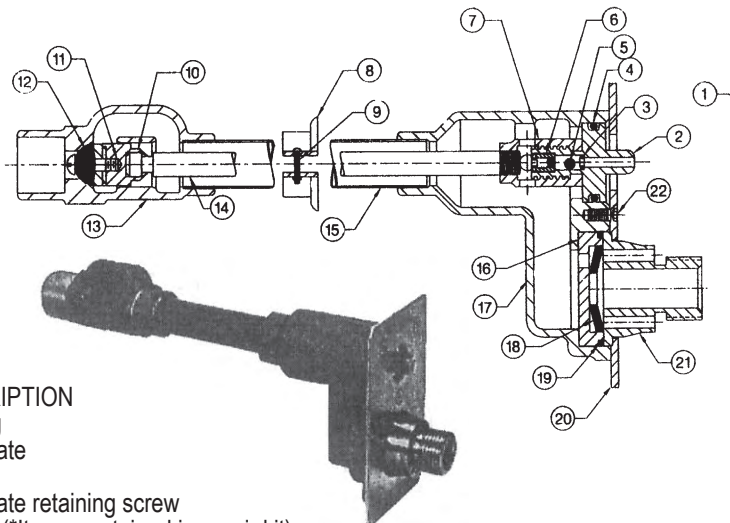
PLUMBING VALVES

JONESPEC HYDRANT MODELS HY – 2800 & HY – 2805

ITEM	DESCRIPTION
1*	Tee key
2*	Operating screw
3*	O-ring
4*	O-ring
5*	Stainless steel ball
6*	Set screw
7*	Operating coupling
8	Wall clamp
9	Clamp screw
10	Guide
11*	Retaining screw
12*	Plunger
13	Housing casting
14	Operating rod
15	Copper casing
16	Disc
17	Head casting
18*	Equal – Balance seal

ITEM	DESCRIPTION
19*	O – ring
20	Face plate
21	Nozzle
22	Face plate retaining screw

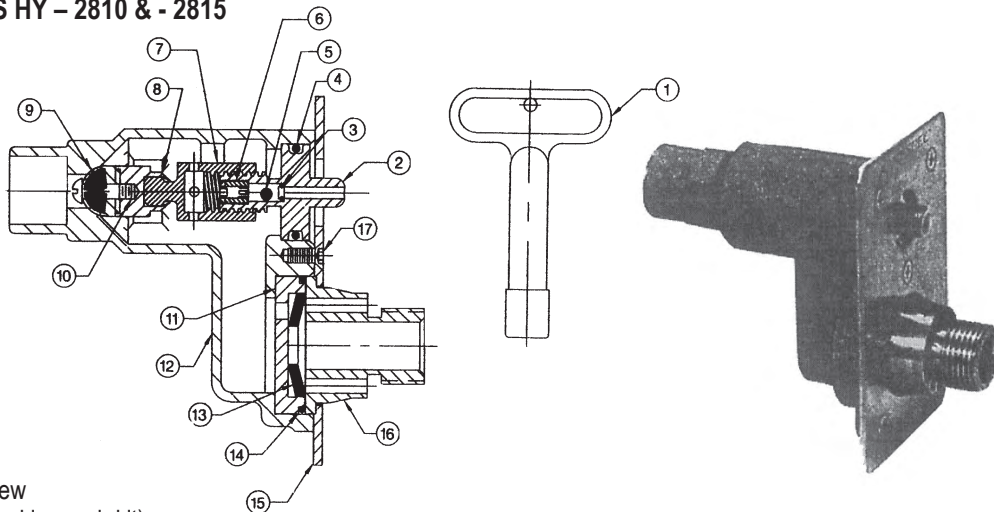
Repair Kit 39402800 (*Items contained in repair kit)



JONESPEC HYDRANT MODELS HY – 2810 & - 2815

ITEM	DESCRIPTION
1*	Tee key
2*	Operating screw
3*	O-ring
4*	O-ring
5*	Stainless steel ball
6*	Set screw
7*	Operating coupling
8	Guide
9*	Plunger
10*	Retaining screw
11	Disc
12	Head casting
13*	Equa – Balance seal
14*	O – Ring
15	Face Plate
16	Nozzle
17	Face plate retaining screw

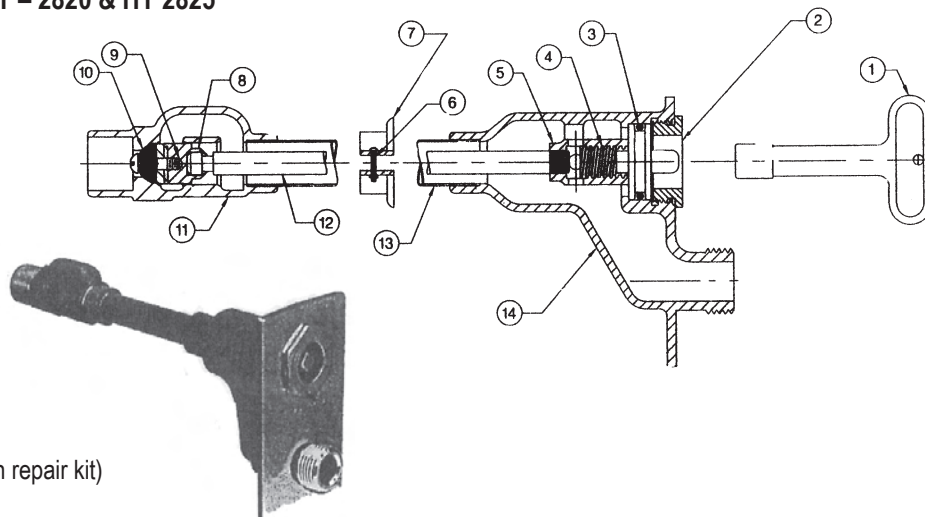
Repair Kit 39402810 (*Items contained in repair kit)



JONESPEC HYDRANT MODELS HY – 2820 & HY 2825

ITEM	DESCRIPTION
1*	Tee key
2	Face Nut
3*	O-Ring
4	Operating screw
5*	Operating coupling
6	Clamp screw
7	Wall clamp
8	Guide
9*	Retaining screw
10*	Plunger
11	House casting
12	Operating rod
13	Copper casing
14	Head casting

Repair Kit 39402820 (*Items contained in repair kit)



**TOTAL
MAINTENANCE
SOLUTIONS**

HOUSTON
800/392-5066

ORLANDO
800/327-3022

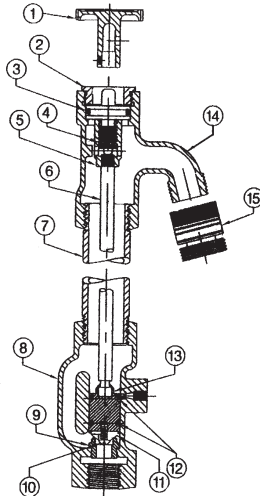
GREENVILLE
800/476-2212

LOOK FOR US ON THE WEB AT: www.TMSSouth.com

PLUMBING VALVES

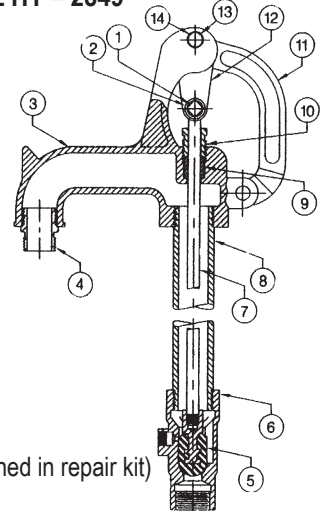
JONESPEC HYDRANT MODEL HY - 2845

- | ITEM | DESCRIPTION |
|------|--------------------|
| 1* | Tee key |
| 2 | Face nut |
| 3* | O-Ring |
| 4* | Operating screw |
| 5* | Operating coupling |
| 6 | Operating rod |
| 7 | Galvanized casing |
| 8 | Housing casting |
| 9 | Removable seat |
| 10* | Retaining screw |
| 11* | Plunger |
| 12* | O-Ring |
| 13 | Guide |
| 14 | Head casting |
| 15 | Vacuum breaker |
- Repair Kit 39402845
(* Items contained in repair kit)



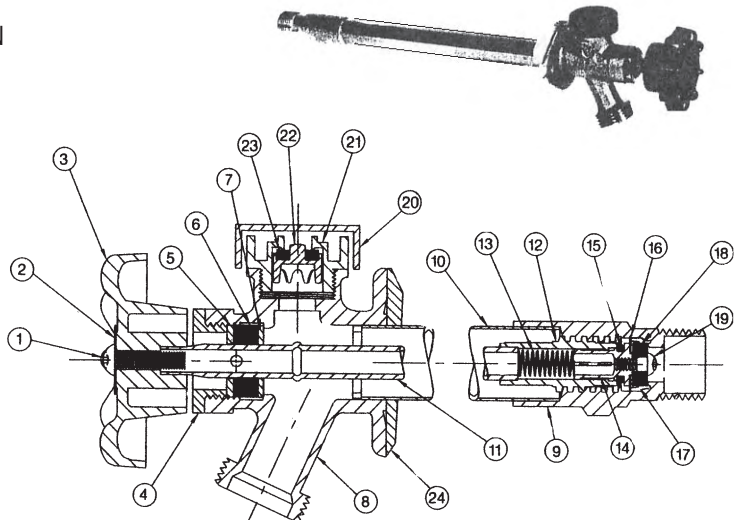
JONESPEC HYDRANT MODEL HY - 2849

- | ITEM | DESCRIPTION |
|------|-------------------|
| 1 | Set screw |
| 2 | Pivot link |
| 3 | Head casting |
| 4 | 3/4" hose adapter |
| 5* | Plunger |
| 6 | Housing casting |
| 7 | Operating rod |
| 8 | Galvanized casing |
| 9* | Graphite packing |
| 10* | Packing nut |
| 11 | Handle |
| 12* | Linkage |
| 13* | Pushnut |
| 14 | Handle cap screw |
- Repair Kit 39402849 (*Items contained in repair kit)



JONESPEC HYDRANT MODEL HY - 2875

- | ITEM | DESCRIPTION | ITEM | DESCRIPTION |
|------|-----------------|------|---------------|
| 1 | Handle screw | 17 | Washer holder |
| 2 | Name tag | 18 | Washer |
| 3 | Handle | 19 | Washer screw |
| 4 | Packing nut | 20 | Cap |
| 5 | Washer | 21 | Bonnet |
| 6 | Packing | 22 | Float |
| 7 | Washer | 23 | Washer |
| 8 | Housing | 24 | Wall support |
| 9 | Inlet housing | | |
| 10 | Casing | | |
| 11 | Tube | | |
| 12 | Washer housing | | |
| 13 | Spring | | |
| 14 | Washer retainer | | |
| 15 | O-ring | | |
| 16 | Diaphragm | | |
- Repair Kit 39402875
(* Items contained in repair kit)



MIFAB UNIVERSAL REPLACEMENT INTERNAL ASSEMBLY FOR MHY-10, 15, 20 SERIES HYDRANTS

PART # 40300351

MIFAB UNIVERSAL REPLACEMENT INTERNAL ASSEMBLY FOR MHY-30/50 SERIES HYDRANTS

PART # 40300352

Includes:

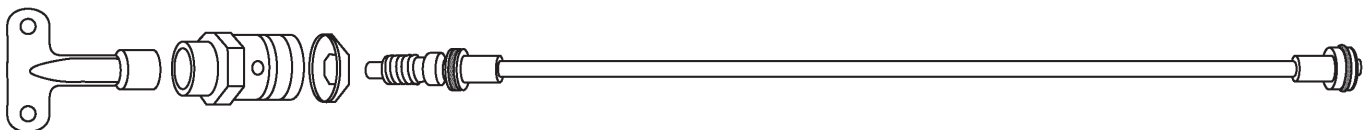
Hydrant operating key

Head nut

Spray Guard

Worm Stem

Operating rod (which can be cut to fit)



**TOTAL
MAINTENANCE
SOLUTIONS**

HOUSTON
800/392-5066

ORLANDO
800/327-3022

GREENVILLE
800/476-2212

LOOK FOR US ON THE WEB AT: www.TMSSouth.com

PLUMBING VALVES

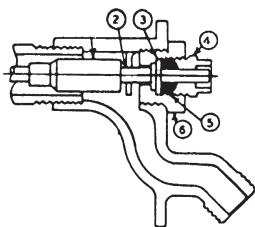
KIT FOR 1400N – 1410 OLD STYLE & TRI-TEMP WALL HYDRANT SERIES 71650

Josam recommends that a complete hydrant repair kit be installed when it becomes necessary to repair a hydrant. Individual parts are available upon request.

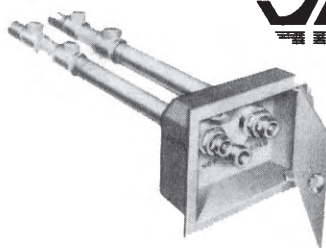
PART # 40300168



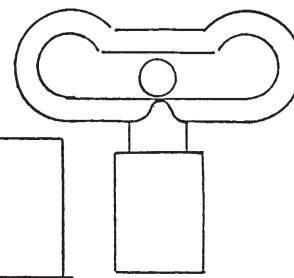
ITEM	QTY
#1 T-handle	1
#2 Worm stem	1
#3 Brass washer	1
#4 Packing Nut	1
#5 Packing	1
#12 Nylon seat	1
#15 Plunger assy.	1



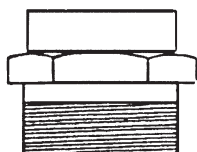
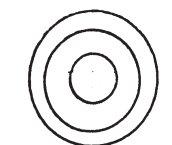
1400N-1410 Series



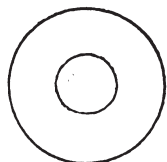
T-Handle #1



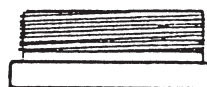
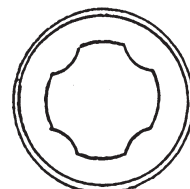
Plunger Assembly #15
39471050



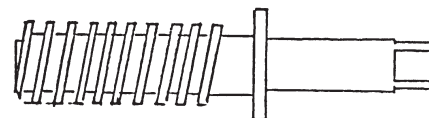
Packing Nut #4
39471008



Brass Washer #3



Nylon Seat #12
39471032



Worm Stem #2
40300010



Packing #5

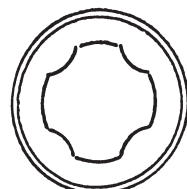
KIT FOR 71500 – 71550 NEW STYLE & 71650 NEW STYLE

PART # 40300178

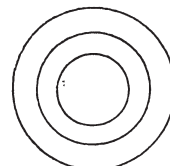
ITEM	QTY
#1 T-handle	1
#2 Worm stem	1
#3 Brass washer	1
#4 Packing Nut	1
#5 Packing	1
#12 Nylon seat	1
#15 Plunger assy.	1
#37 Retainer seal	1
#38 Worm stem seal	1



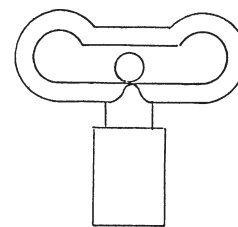
Brass Washer



Nylon Seat #12



Retainer Seal #37

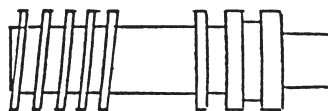
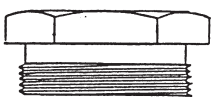


T-Handle #1



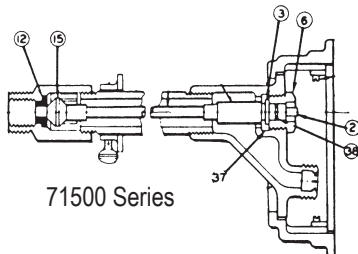
Worm Stem Seal #38

Stem Nut #6

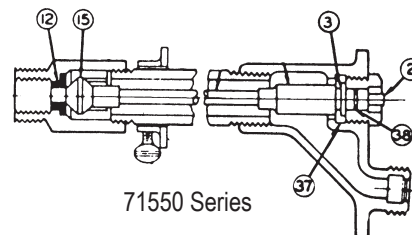


Worm Stem #2

Plunger Assembly #15



71500 Series



71550 Series



TOTAL MAINTENANCE SOLUTIONS

HOUSTON
800/392-5066

ORLANDO
800/327-3022

GREENVILLE
800/476-2212

LOOK FOR US ON THE WEB AT: www.TMSSouth.com

PLUMBING VALVES

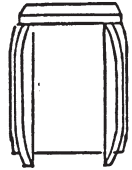
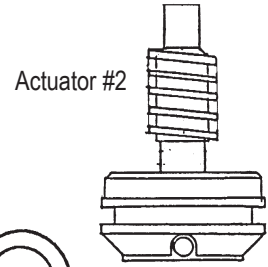
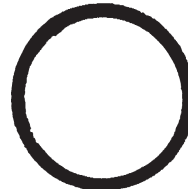
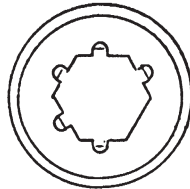
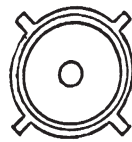
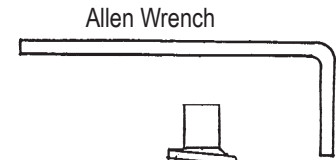
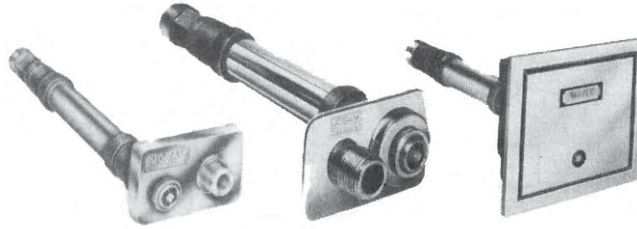
KIT FOR HYDRASAN I OR II – NON-FREEZE

Josam recommends that a complete hydrant repair kit be installed when it becomes necessary to repair a hydrant. Individual parts are available upon request.

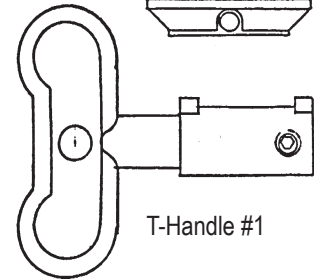
PART # 40300169



ITEM	QTY
#1 Key	1
#2 Actuator	1
#4 Shuttle	1
#5 Pressure assist seal	1
#6 Pressure relief O-ring	1
#15 Seat Allen wrench	1



O-ring #6



Shuttle #4

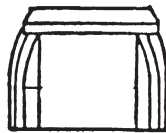
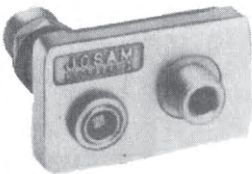
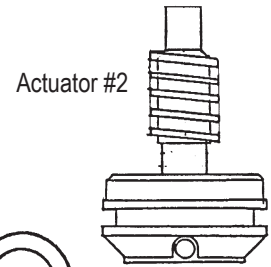
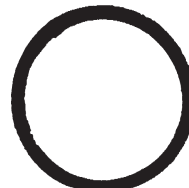
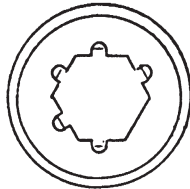
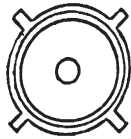
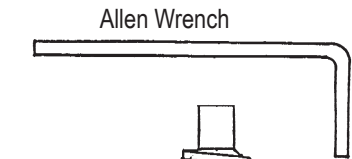
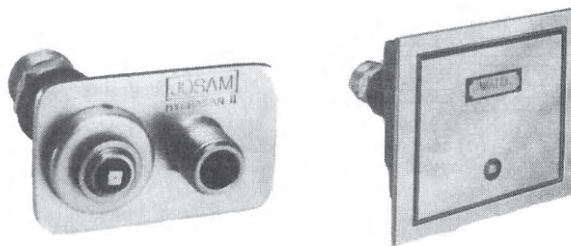
Seal/Seat #5/#15

T-Handle #1

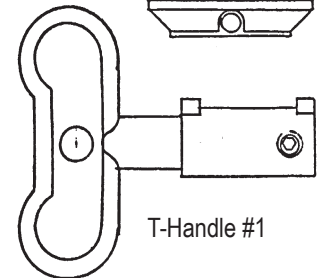
KIT FOR HYDRASAN I OR II – MILD CLIMATE

PART # 40300195

ITEM	QTY
#1 Key	1
#2 Actuator	1
#4 Shuttle	1
#5 Pressure assist seal	1
#6 Pressure relief O-ring	1
#15 Seat Allen wrench	1



O-ring #6



Shuttle #4

Seal/Seat #5/#15

T-Handle #1



HOUSTON
800/392-5066

ORLANDO
800/327-3022

GREENVILLE
800/476-2212

LOOK FOR US ON THE WEB AT: www.TMSSouth.com

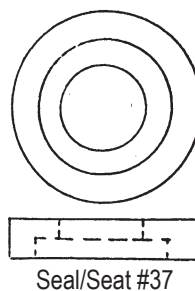
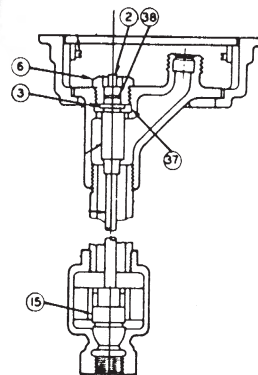
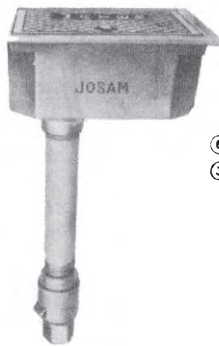
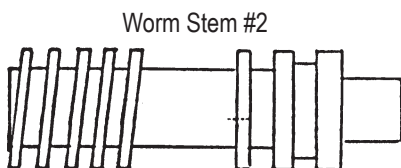
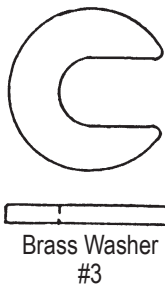
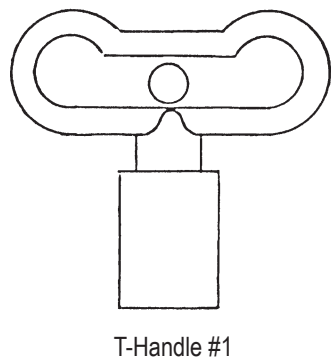
PLUMBING VALVES

KIT FOR 71600 SERIES YARD HYDRANT 3/4" OR 1"

Josam recommends that a complete hydrant repair kit be installed when it becomes necessary to repair a hydrant. Individual parts are available upon request.

PART # 39471040

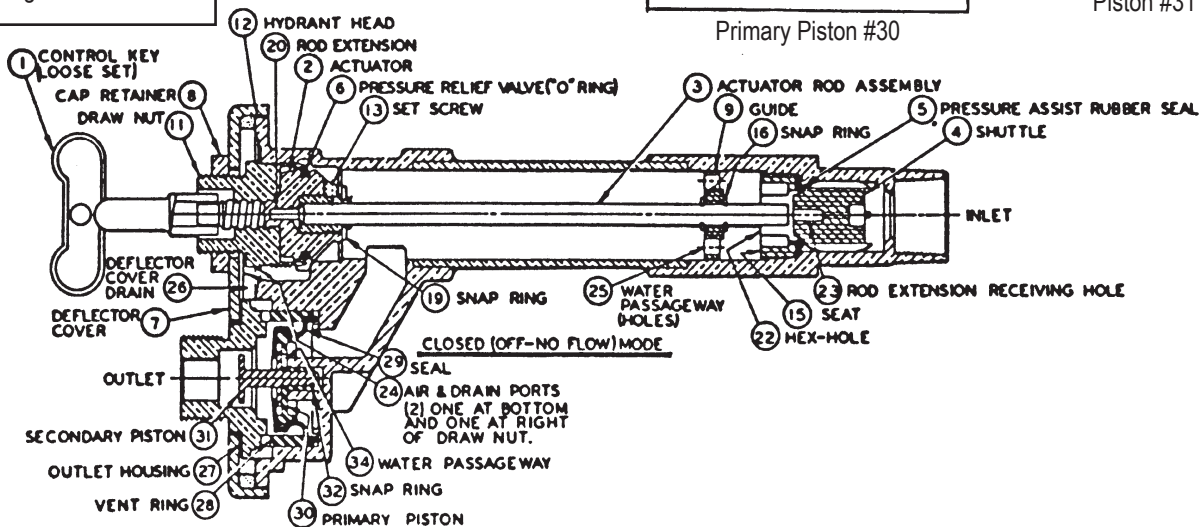
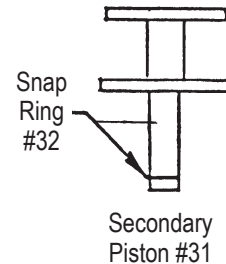
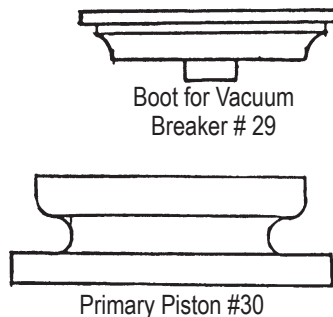
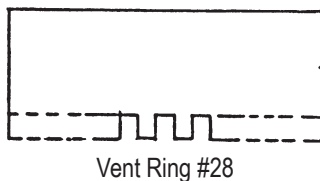
ITEM	QTY
#2 Worm Stem	1
#3 Brass Washer	1
#15 Plunger Assembly	1
#37 Seal/Seat	1
#38 O-ring	1



KIT FOR HYDRASAN I OR II VACUUM BREAKER

PART # 39471042

ITEM	QTY
#28 Vent ring	2
#29 Boot for V/B	2
#30 Primary piston	2
#31 Secondary piston	2
#32 Snap ring	2



**TOTAL
MAINTENANCE
SOLUTIONS**

HOUSTON
800/392-5066

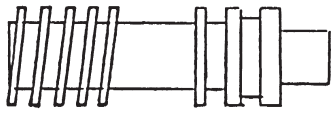
ORLANDO
800/327-3022

GREENVILLE
800/476-2212

LOOK FOR US ON THE WEB AT: www.TMSSouth.com

PLUMBING VALVES

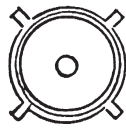
JOSAM HYDRANT INDIVIDUAL PARTS



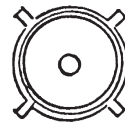
Worm Stem # 40300012



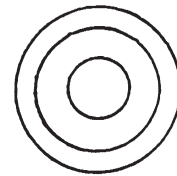
Stem Seal #40950047



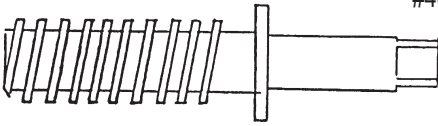
Shuttle #39471054



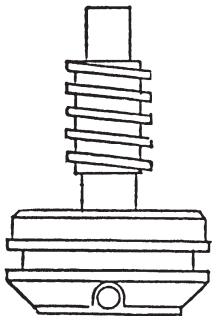
Shuttle #39471010



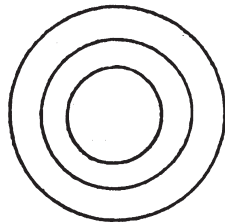
Packing #39471014



Worm Stem # 40300010



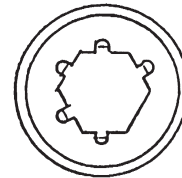
Actuator # 40300009



Retainer Seal #39471052



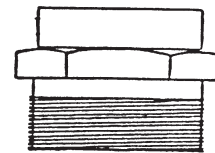
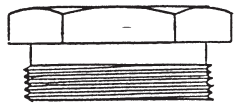
O-ring #40950039



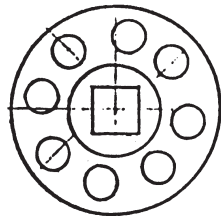
Seal Only #39471012



Seat/Seal #39471024



Packing Nut #39471008



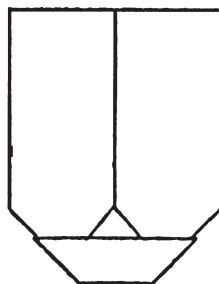
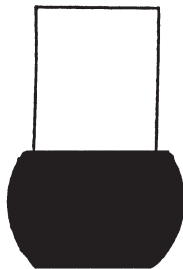
Hydrasan I & II Guide #39471034

Nylon Seat #39471032

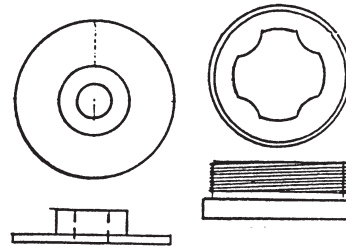


Plunger #39471038

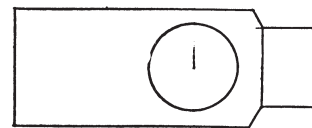
Plunger #39471050



Worm Casing/Plunger #39471036



Backflow Preventer Valve - Hydrasan II #39471030



Worm Casing #39471037



**TOTAL
MAINTENANCE
SOLUTIONS**

HOUSTON
800/392-5066

ORLANDO
800/327-3022

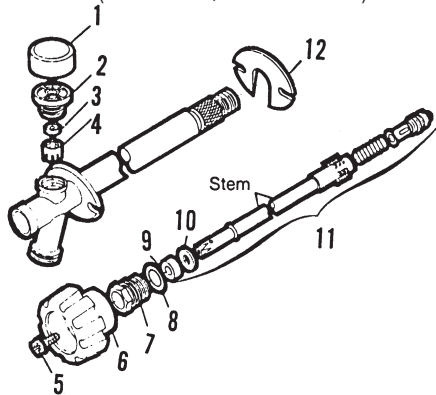
GREENVILLE
800/476-2212

LOOK FOR US ON THE WEB AT: www.TMSSouth.com

PLUMBING VALVES

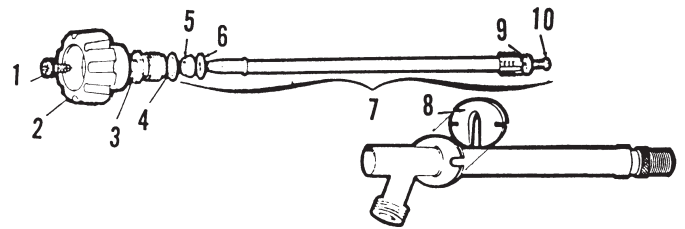
MANSFIELD MODEL 500 ANTI-SIPHON

ITEM	PART#	DESCRIPTION
1	39619006	Cap
2	39619007	Bonnet
3	39619019	Seat washer
4	39619005	Plunger
5-6	39610006	Handle and screw
7	39613286	Celcon bonnet
8	40950028	O-ring
9	39610925	Packing
10	39612954	Brass packing washer
11	39610092	Stem assembly 10" (6")
	39610093	Stem assembly 12" (8")
	39610094	Stem assembly 14" (10")
	39610095	Stem assembly 18" (12")
12	39614548	Wedge spacer
	42691000	Seat washer
	50100011	Screw
	39617500	Service Pak for vacuum breaker (items 1, 2, 3, 4)
	39617754	Service Pak for hydrant (items 7 - 10, washer & screw)



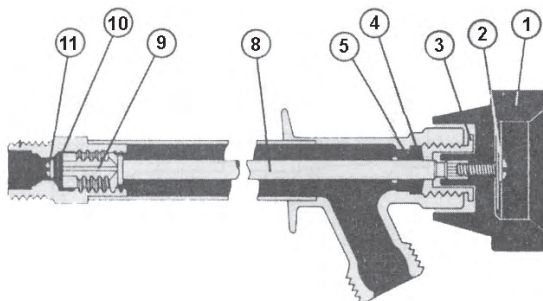
MANSFIELD MODEL 300

ITEM	PART #	DESCRIPTION
1-2	3961006	Handle & screw
3	39613286	Celcon bonnet (available only in kit)
4	40950028	O-ring
5	39610925	Packing
6	39612954	Brass packing washer
7	39615031	Item assembly 7-7/8" (4")
	39615032	Stem assembly 9-7/8" (6")
	39615033	Stem assembly 11-7/8" (8")
	39615034	Stem assembly 13-7/8" (10")
	39615035	Stem assembly 15-7/8" (12")
8	39614548	Wedge spacer
	39617754	Service Pak for hydrant items 3 - 6, washer, screw
9	40110128	Washer
10	50100011	Screw



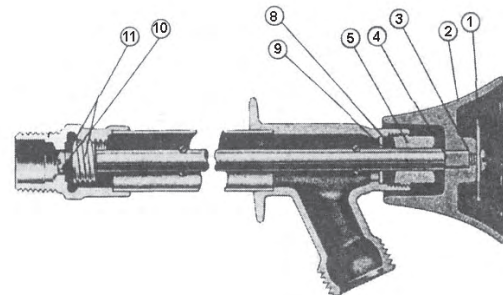
NIBCO MODEL 80

ITEM	PART #	DESCRIPTION
1-2	39661001	Handwheel & screw
3	39661003	Stuffing box
4	39661004	Packing
5	39661005	Packing washer
8	39661006	Stem for 4" wall (6-1/2")
	39661007	Stem for 6" wall (8-1/2")
	36991008	Stem for 8" wall (10-1/2")
	39661009	Stem for 10" wall (12-1/2")
	39661010	Stem for 12" wall (14-1/2")
9	39661011	Seat holder
10	42691020	Seat disc
11	50100010	Seat screw



NIBCO MODEL 52

ITEM	PART #	DESCRIPTION
1-2	39661001	Handwheel screw
3	39661016	Lockshield handwheel
4	50100000	Handwheel screw
5	39661018	Stem for 4" wall
	39661019	Stem for 6" wall
	39661020	Stem for 8" wall
	39661021	Stem for 10" wall
	39661022	Stem for 12" wall
6	39661023	Packing nut
7	39661024	Lockshield packing nut
8	39661025	Packing
9	39661026	Packing washer
10	50100010	Disc screw
11	40110205	Seat disc



**TOTAL
MAINTENANCE
SOLUTIONS**

HOUSTON
800/392-5066

ORLANDO
800/327-3022

GREENVILLE
800/476-2212

LOOK FOR US ON THE WEB AT: www.TMSSouth.com

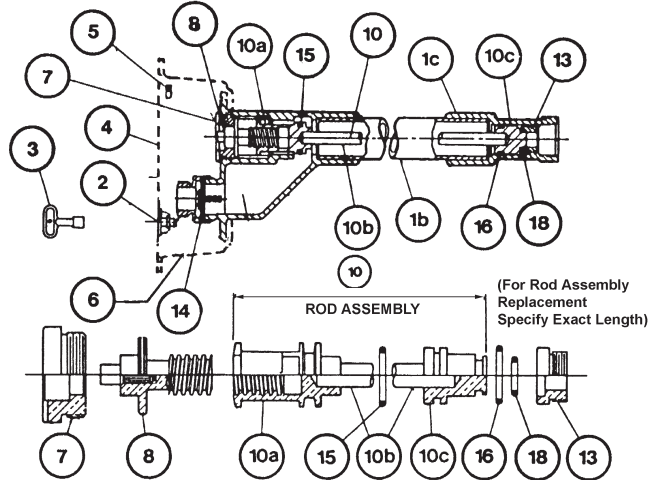
PLUMBING VALVES

SMITH HYDRANT MODELS 5509 & 5609 MANUFACTURED AFTER JANUARY 79

Part #39761000 for rebuild kit.*

ITEM	PART #	DESCRIPTION
2		Locking device
3*	40300210	Key
4		Cover
5		Cover hinge pins (2)
7		Face nut
8*		Operating screw
10		Operating rod assy.
10a		Coupling
10b		Rod
10c		Plunger
13*		Removable seat
14		Vacuum breaker
15*	40950030	Operating coupling O-ring
16*	40950028	Plunger O-ring – rear
18*	40950023	Plunger O-ring – front

* Items included in rebuild kit

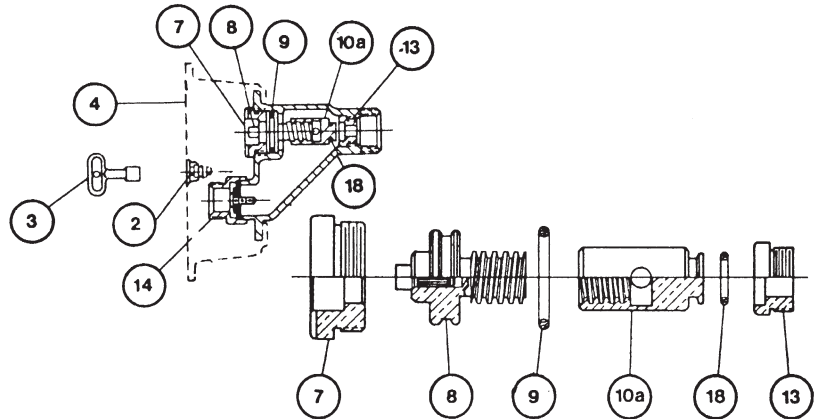


SMITH HYDRANT MODELS 5607, 5608, 5730, 5731, 5760 & 5761

Part #40300179 for rebuild kit.*

ITEM	PART #	DESCRIPTION
2		Locking device
3*	40300210	Key
4		Cover
5		Hydrant cover hinge pins (2)
7		Face nut
8*	40300013	Operating screw
9*	40300014	Operating screw O-Ring
10a		Coupling/Plunger
13*		Removable seat
14		Vacuum breaker
18*	40950023	Plunger O-Ring

* Items included in rebuild kit



SMITH HYDRANT MODELS 5510, 5560, 5610, & 5611 MANUFACTURED BEFORE JANUARY 79

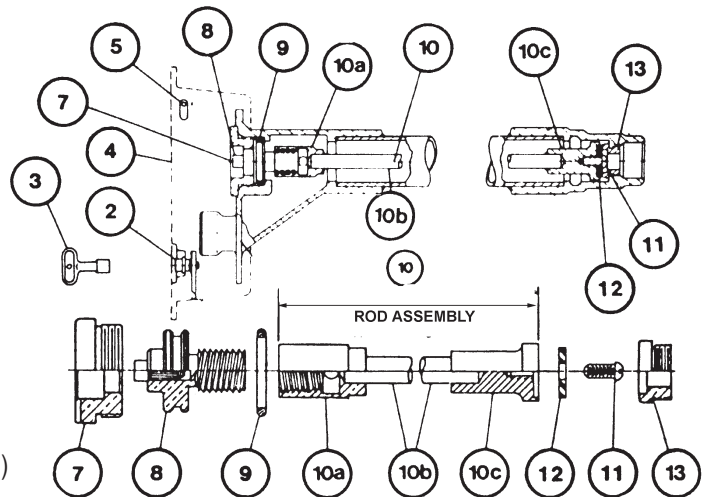
PART #39761015 1984 – current

PART #39761010 for rebuild kit.*

ITEM	PART #	DESCRIPTION
2		Locking device
3*	40300210	Key
4		Cover
5		Cover hinge pins (2)
7		Face nut
8*		Operating screw
9*	40300014	Operating screw O-ring
10a		Operating rod assembly
10b		Rod
10c		Plunger
11*	50100034	Washer screw
12*	39767148	Washer
13*		Removable seat

* Items included in rebuild kit

(For replacement rod assembly, specify exact length.)



HOUSTON
800/392-5066

ORLANDO
800/327-3022

GREENVILLE
800/476-2212

LOOK FOR US ON THE WEB AT: www.TMSSouth.com

PLUMBING VALVES

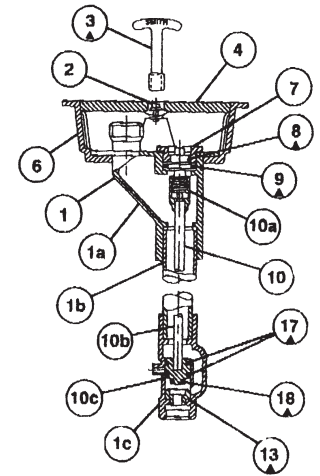
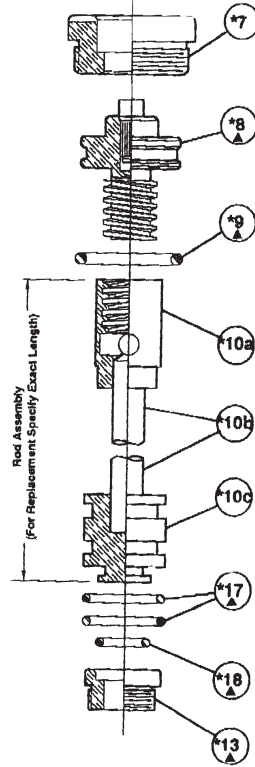
SMITH HYDRANT MODELS 5810, 5810F, 5811, 5811F, 5910, 5911, 5950 & 5951

Repair kit for hydrants before 1979 – # 39761020

Repair kit for hydrants after Jan. 1979 – # 39761025

ITEM	DESCRIPTION
1	Head/Casing assembly
1A	Head
1B	Casing
1C	Valve Housing
2	Locking devices
3	Key
4	Cover
5	Hydrant cover hinge pins (2)
6	Box
7*	Face nut
8*	Operating screw
9*	Operating screw o-ring
10	Operating rod assembly
10A*	Coupling
10B*	Rod
10C*	Plunger
13	Removable seat
17	Plunger o-ring
18*	Plunger o-ring

*All items marked are in repair kit



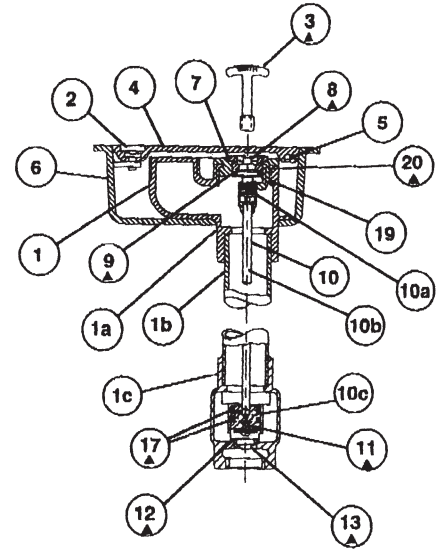
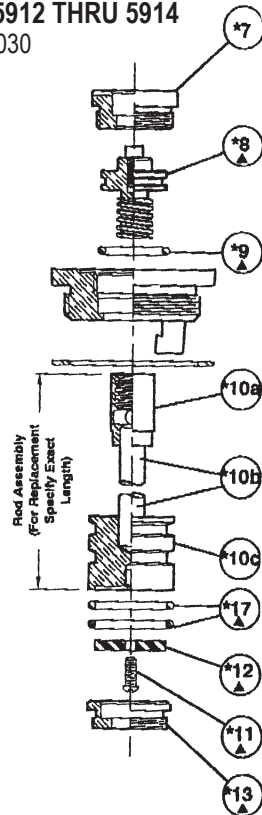
SMITH HYDRANT MODELS 5812 THRU 5814, 5912 THRU 5914

Repair kit for hydrants Jan. 79 thru Aug. 84 – # 39761030

Repair kit for hydrants after Aug. 84 – # 39761035

ITEM	DESCRIPTION
1	Head/Casing assembly
1A	Head
1B	Casing
1C	Valve housing
2	Locking devices
3	Key
4	Cover
5	Hydrant cover hinge pins (2)
6	Box
7*	Face nut
8*	Operating screw
9*	Operating screw o-ring
10	Operating rod assembly
10A*	Coupling
10B*	Rod
10C*	Plunger
11*	Washer screw
12*	Removable seat
13*	Plunger o-ring
17	Plunger o-ring
19	Face nut seat
20	Face nut seal gasket

*All items marked are in repair kit.



HOUSTON
800/392-5066

ORLANDO
800/327-3022

GREENVILLE
800/476-2212

LOOK FOR US ON THE WEB AT: www.TMSSouth.com

PLUMBING VALVES

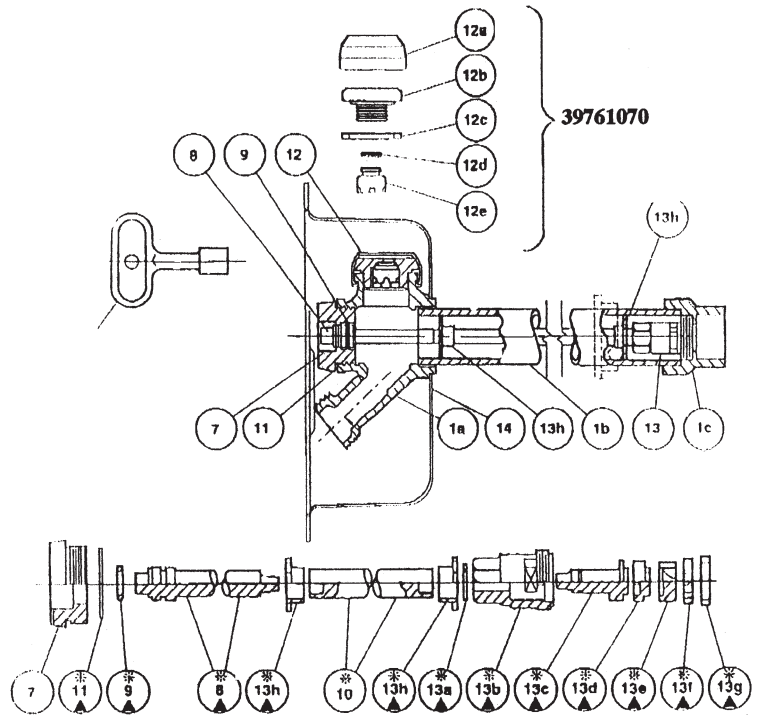
SMITH HYDRANT MODELS 5509QT, 5560QT, 5609QT

Repair kit for hydrant – 40300018

Repair kit for Vacuum breaker – 40300204

ITEM	DESCRIPTION
1	Head/Casing assembly
1A	Head
1B	Casing
1C	Valve housing
3	Key
7	Face nut
8*	Actuator shaft
9*	Actuator o-ring
10*	Operator rod
11*	Face nut washer
12	Vacuum breaker assy.
12A	VB cap
12B	VB body
12C	VB washer
12D	VB o-ring
12E	VB platon
13	Valve body assy.
13A*	Retaining ring
13B*	Valve body
13C*	Valve actuator
13D*	Nylon washer
13E*	Rotating ceramic disc
13F*	Fixed ceramic disc
13G*	Silicon rubber seal
13H*	Retaining guide (2)
14	Box assembly S/S

All items marked are accessible from Face of Hydrant



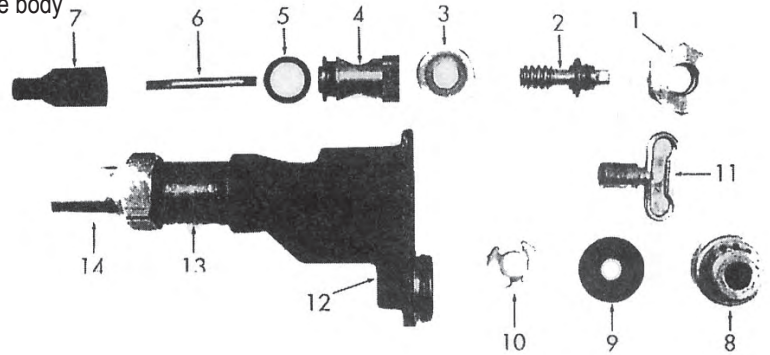
WADE HYDRANT MODELS W-8600

(4" – 12" WALL THICKNESS)

W-8600,175 (6" – 12" wall thickness)

ITEM	DESCRIPTION
1	Stem bushing nut
2	Drive screw assy.
3	Retainer seal
4	Drive sleeve
5	O-ring
6	Operating rod (1/4" S/S)
7	Plunger
8	Hose piece
9	Diverter diaphragm
10	Diverter check spider
11	T-handle
12	Head

ITEM	DESCRIPTION	39941060 Repair kit – items 2,3,5,7,11	39941070 Repair kit – items 1 thru 5, 7 thru 11
13	Casing		
14	Valve body		

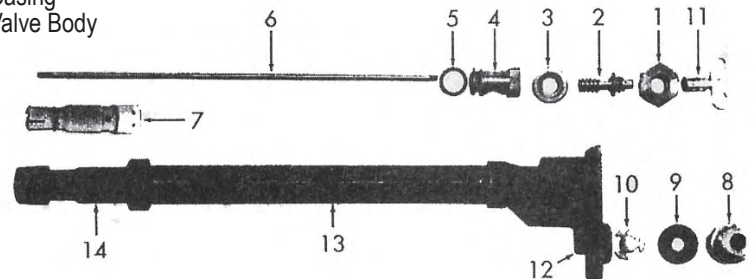


WADE HYDRANT MODELS W-8600(14" – 24" WALL THICKNESS)

W-8600,175 (16" – 26" wall thickness)

ITEM	DESCRIPTION
1	Stem bushing
2	Drive screw assy.
3	Retainer seal
4	Drive sleeve
5	O-ring
6	Operating rod (1/4" S/S)
7	Cartridge plunger assy.
8	Hose piece
9	Diverter diaphragm
10	Diverter check spider
11	T-handle

ITEM	DESCRIPTION	39941030 Repair kit – items 2,3,5,7,11	39941040 Repair kit – items 1 thru 5, 7 thru 11
12	Head		
13	Casing		
14	Valve Body		



HOUSTON
800/392-5066

ORLANDO
800/327-3022

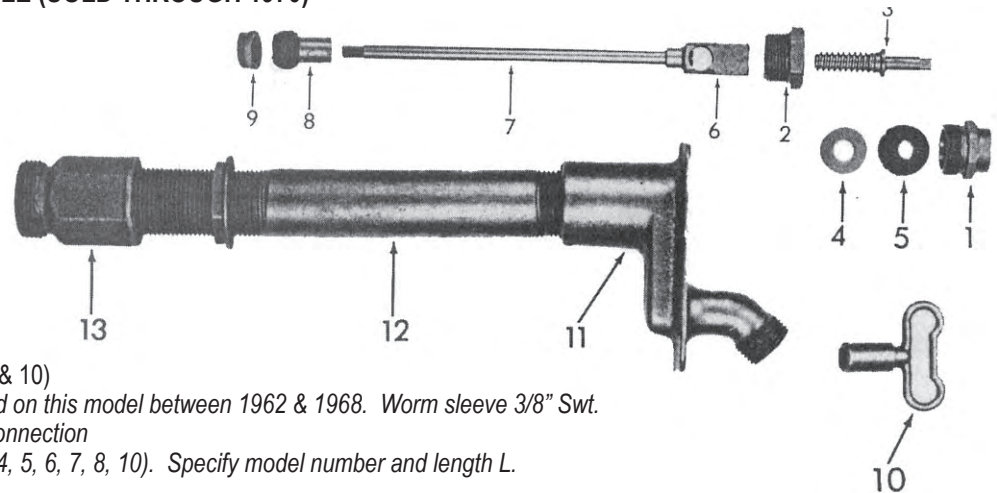
GREENVILLE
800/476-2212

LOOK FOR US ON THE WEB AT: www.TMSSouth.com

PLUMBING VALVES

WADE MODEL W – 8604 OLD STYLE (SOLD THROUGH 1970)

- | ITEM | DESCRIPTION |
|------|----------------------|
| 1 | Packing nut-brass |
| | Packing nut chrome |
| 2 | Worm nut-brass |
| 3 | Worm stem |
| 4 | Packing washer |
| 5 | Packing |
| 6 | Worm sleeve (note 1) |
| 7 | Control rod (note 2) |
| 8 | Plunger (neoprene) |
| 9 | Nylon seat |
| 10 | Tee Handle |



ORDER REPAIR KIT 39941006 (1-6, 8 & 10)

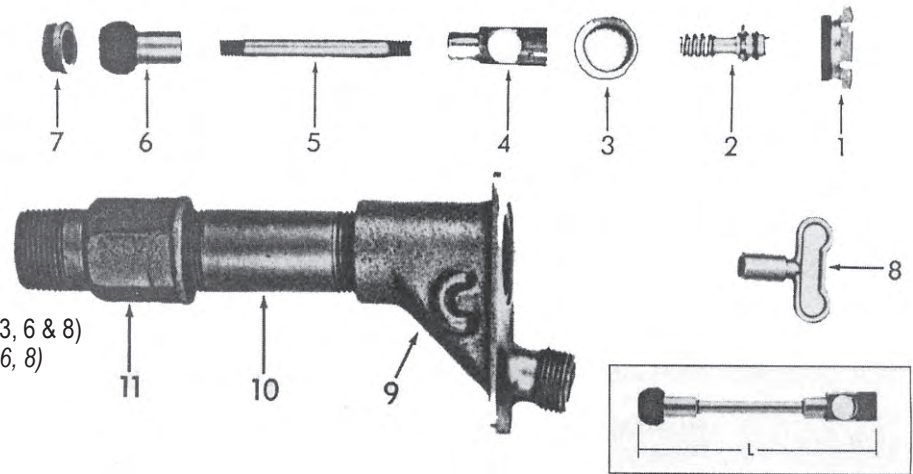
Note 1: Two types of sleeves were used on this model between 1962 & 1968. Worm sleeve 3/8" Swt.

Connection Worm sleeve 7/16" Thrd. Connection

Note 2: Sold as an assembly (items 3, 4, 5, 6, 7, 8, 10). Specify model number and length L.

WADE MODEL W-8604

- | ITEM | DESCRIPTION |
|------|-------------------------|
| 1 | Stem bushing nut-brass |
| | Stem bushing nut-chrome |
| 2 | Worm stem assembly |
| 3 | Retainer seal |
| 4 | Worm sleeve |
| 5 | Control rod (note 1) |
| 6 | Plunger (neoprene) |
| 7 | Nylon seat |
| 8 | Tee handle |



Order Repair kit 40300163 (Includes items 2, 3, 6 & 8)

Note 1: Sold as an assembly (items 2, 3, 4, 5, 6, 8)

Specify model number and length L.

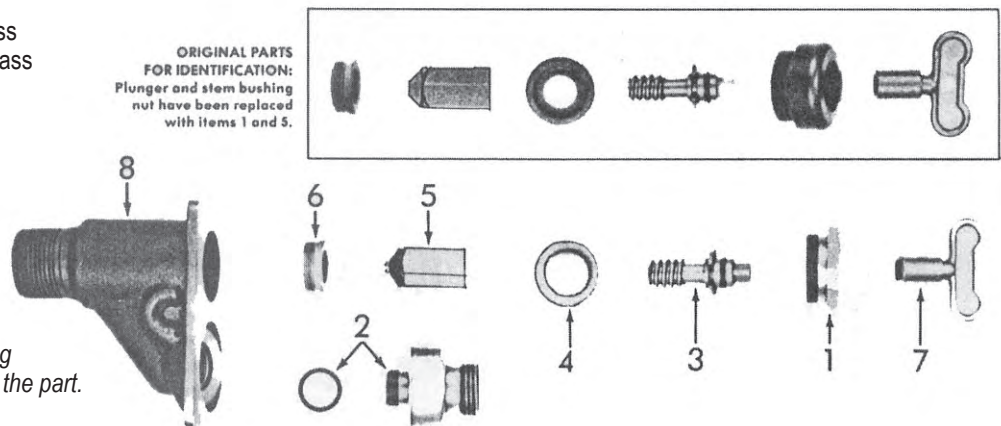
WADE MODEL W-8635

- | ITEM | DESCRIPTION |
|------|--------------------------|
| 1 | Stem bushing nut-brass |
| 2 | Backflow preventer-brass |
| 3 | Worm stem assembly |
| 4 | Retainer seal |
| 5 | Plunger |
| 6 | Nylon seat |
| 7 | Tee handle |

Order Repair Kit 39941004

(3, 4, 5 & 7)

Parts other than those shown in kits are available from Wade. Availability subject to change, please call indicating the model number and item number of the part.



HOUSTON
800/392-5066

ORLANDO
800/327-3022

GREENVILLE
800/476-2212

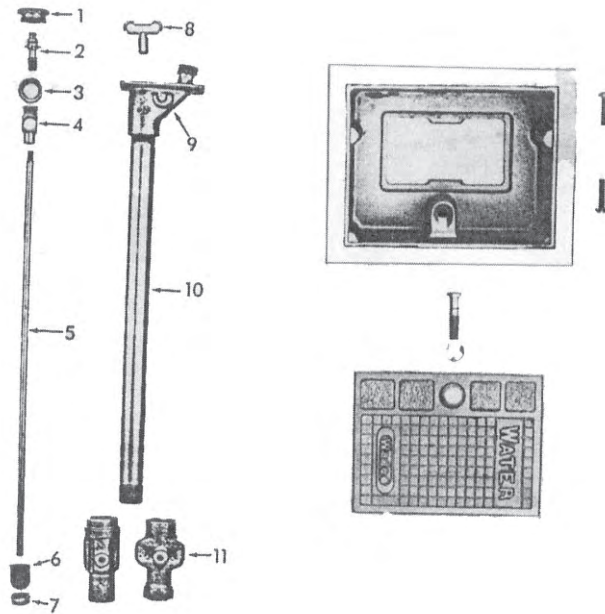
LOOK FOR US ON THE WEB AT: www.TMSSouth.com

PLUMBING VALVES

WADE MODEL W-8609-97

ITEM	DESCRIPTION
1	Stem bushing nut-brass
2	Worm stem assembly
3	Retainer seal
4	Worm sleeve
5	Control rod (note 1)
6	Plunger (neoprene)
7	Nylon seat
8	Tee handle

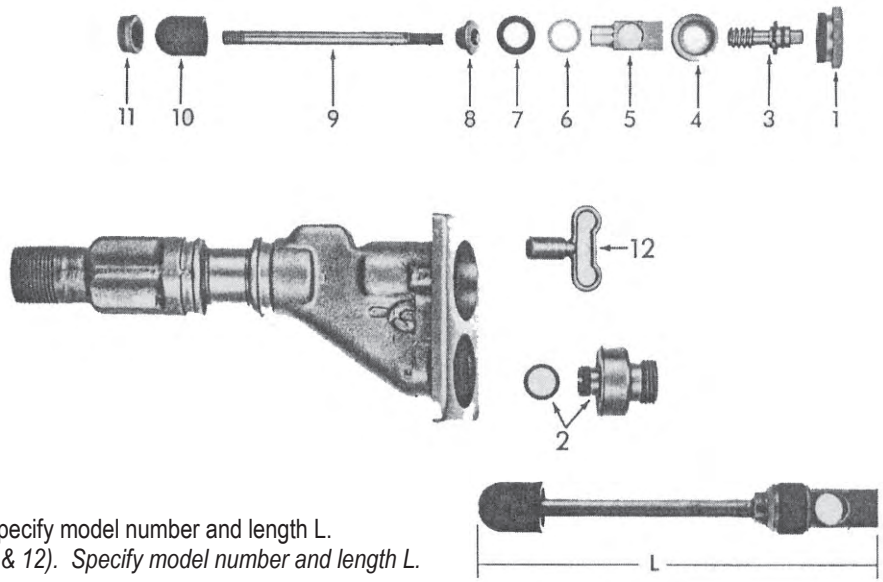
Order Repair Kit 39941002 (1,2,3,4,6 & 8)
 Note 1: Sold as an assembly (items 2,3,4,5,6,8).
 Specify model and length L.



WADE MODEL W-8620, W-8625

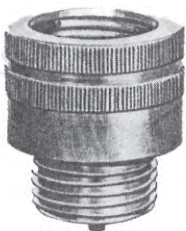
ITEM	DESCRIPTION
1	Stem bushing nut-brass
2	Backflow preventer-brass
3	Backflow preventer-chrome
4	Worm stem assembly
5	Retainer seal
6	Worm sleeve
7	Retainer washer
8	Drain port sleeve
9	Rod adapter
10	Control (note-1)
11	Plunger (neoprene)
12	Nylon seat
17	Tee handle
	Lid: satin nickel
	Lid: satin brass

Order Repair kit 39941002 (3,4,6,7,10,12). Specify model number and length L.
 Note 1: Sold as an assembly (items 3 thru 10 & 12). Specify model number and length L.



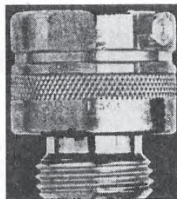
PART # 40300309

Brass finish. Female hose thread x male hose thread. Has non-removable feature.



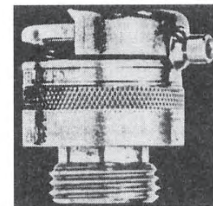
PART # 40110041

Chrome finish. Female hose thread x male hose thread. For use in non-freezing areas.
 PART # 40110042 for brass finish



PART # 40300310

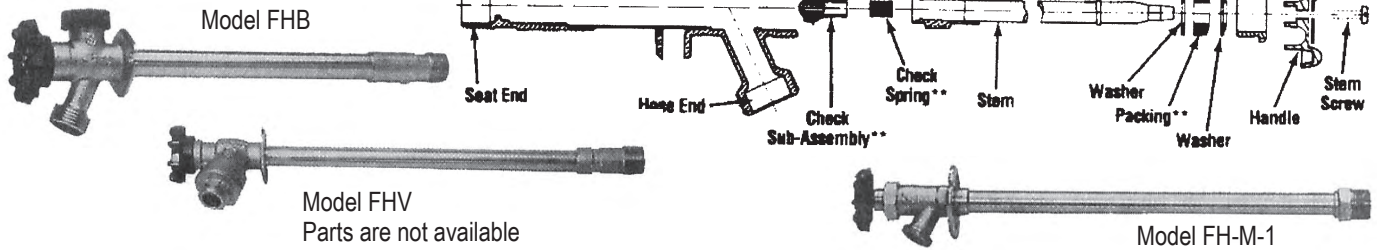
Brass finish. Female hose thread x male hose thread. For use in freezing areas.
 PART # 40300311 for chrome finish



PLUMBING VALVES

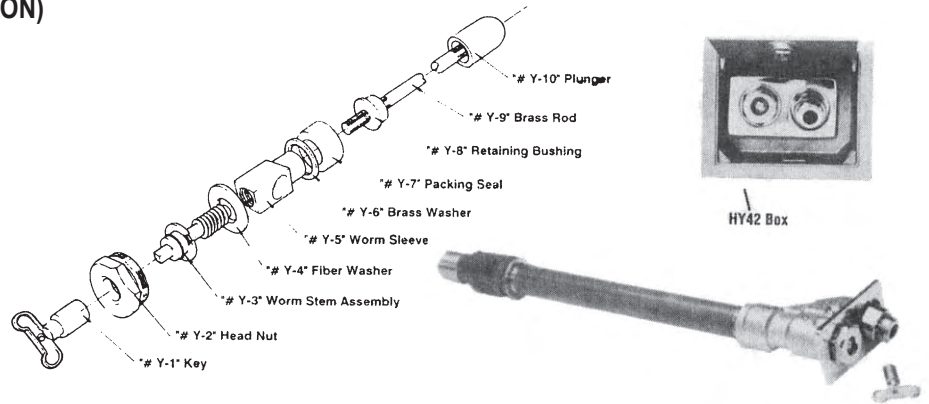
WATTS HYDRANT FH-M-1 & FHB

PART #	DESCRIPTION
39943061	Repair kit for model FHB. Items marked with **
39943062	Repair kit for V/B. Items marked *
39943126	Repair kit for model FH-M-1
39943063	Handle kit for model FHB
39943127	Handle kit for model FH-M-1



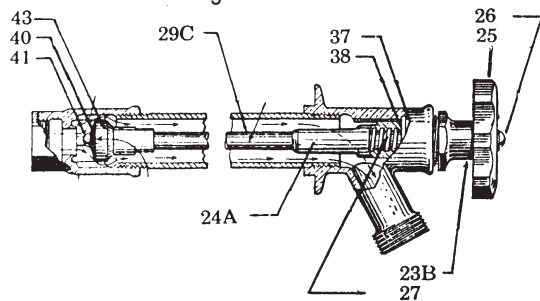
HYDRANT MODEL HY-42 & HY-42B (ANCON)

ITEM	DESCRIPTION
Y-1	Key
Y-2	Chrome head nut
Y-3	Worm stem assy.
Y-4	Fibre washer
Y-5	Worm sleeve
Y-6	Brass washer
Y-7	Packing seal
Y-8	Retaining bushing
Y-9	Brass Rod
Y-10	Neoprene plunger
39940042	Repair kit – contains above items



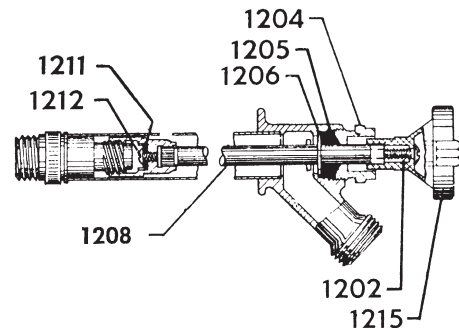
WOODFORD MODEL 10 (OBSOLETE)

ITEM	PART #	DESCRIPTION
43	39953214	Retainer
40	39953212	Valve seat rubber
41	39953216	Retainer screw
29C		Valve stem
24A	40300140	Yoke nut
37	39953210	Packing support washer
38	39953040	Support washer
26	39950112	Handle screw
25	39950111	Wheel handle
23B	39953220	Packing gland
27	39950113	Stem screw
	40300312	Packing



WOODFORD MODEL 12 (OBSOLETE)

ITEM	PART #	DESCRIPTION
1215	39953202	Wheel handle
1202	40300313	Handle screw
1204	39952990	Packing gland
1205	39952006	Packing
1206	39952992	Packing support washer
1212	39950009	Retainer screw
1208		Rod assembly
1211	39952995	Valve seat rubber



**TOTAL
MAINTENANCE
SOLUTIONS**

HOUSTON
800/392-5066

ORLANDO
800/327-3022

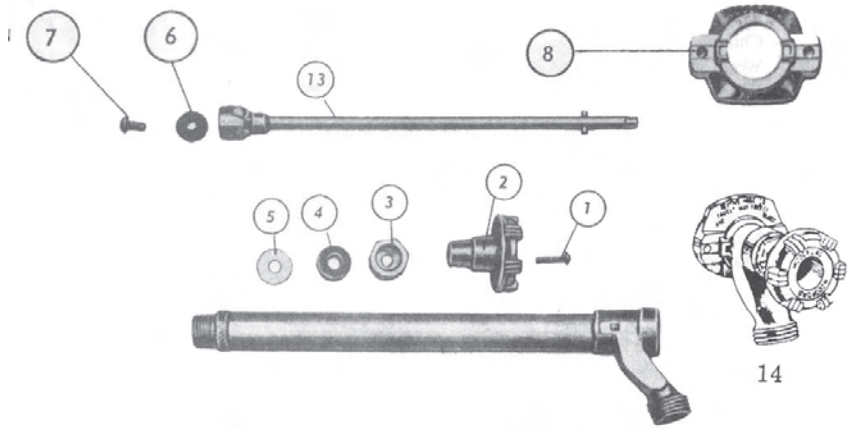
GREENVILLE
800/476-2212

LOOK FOR US ON THE WEB AT: www.TMSSouth.com

PLUMBING VALVES

WOODFORD MODEL 14

ITEM	PART #	DESCRIPTION
1	40300313	Handle screw
2	40300215	Wheel handle
3	40300315	Packing nut
4	39952006	Packing
5	39950006	Packing support washer
6	40300316	Valve seat rubber
7	39950009	Retainer screw for rubber
8	40300317	Adjustable flange
13	39953002	Valve stem assy. 4" wall (5-7/8")
	39953004	Valve stem assy. 6" wall (7-7/8")
	39953006	Valve stem assy. 8" wall (9-7/8")
	39953008	Valve stem assy. 10" wall (11-7/8")
	39955005	Valve stem assy. 12" wall (13-7/8")
	39955007	Valve stem assy. 14" wall (15-7/8")
	39953010	Valve stem assy. 18" wall (19-7/8")
	39956060	Repair kit Items 1 - 7



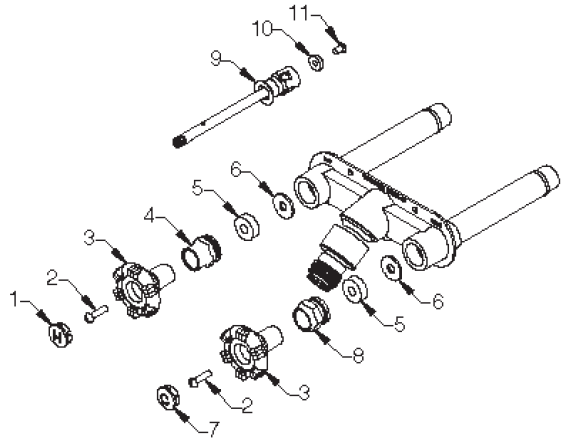
WOODFORD MODEL 22, V22 HOT AND COLD WALL FAUCET REPAIR KIT

PART # 39956082

Includes:

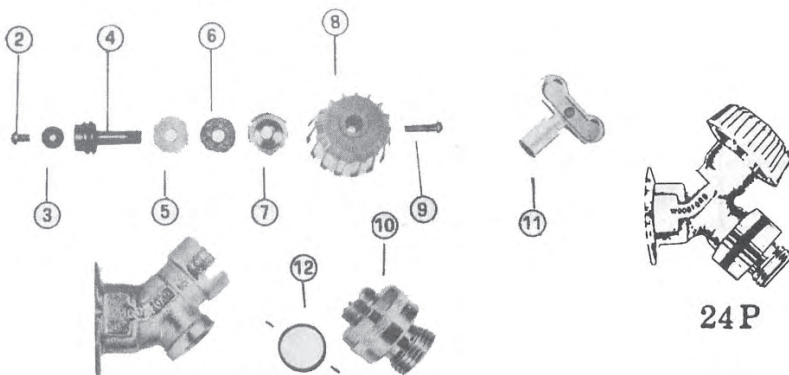
ITEM	DESCRIPTION	ITEM	DESCRIPTION
1	Hot plug button	9	Check valve (2)
2	Handle screw (2)	10	Valve seat washer
3	Plastic Handle (2)	11	Retainer screw (2)
4	Deep packing nut		
5	EPDM Packing (2)		
6	Packing washer (2)		
7	Cold plug button		
8	Packing nut		

METAL HANDLE REPAIR KIT
PART # 39956084



WOODFORD MODEL 24, Y24

ITEM	PART #	DESCRIPTION	ITEM	PART #	DESCRIPTION
2	39950009	Washer screw	8	20200146	Wheel handle - tan
3	40300316	Washer	9	40300313	Handle screw - brass
4	39950104	Operating stem	10	40300188	Chrome vacuum breaker
5	39950106	Packing washer	11	40300212	Tee key
6	39952006	Packing washer	12	40950038	O-ring
7	39950107	Packing nut		39956080	Repair kit items 2-9

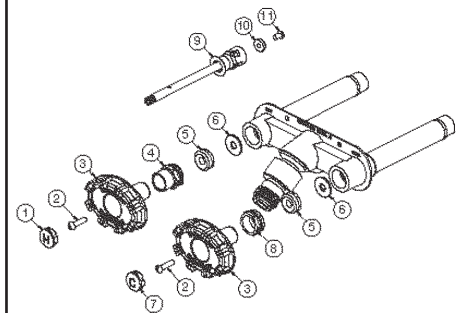


WOODFORD MODEL 29 REPAIR KIT

PART # 39956086

Includes:

ITEM	DESCRIPTION
1	Hot plug button
2	Handle screw (2)
3	Oval wheel handle (2)
4	Deep packing nut
5	EPDM Packing (2)
6	Packing washer (2)
7	Cold plug button
8	Packing nut
9	Check valve (2)
10	Valve seat washer
11	Retainer screw (2)



HOUSTON
800/392-5066

ORLANDO
800/327-3022

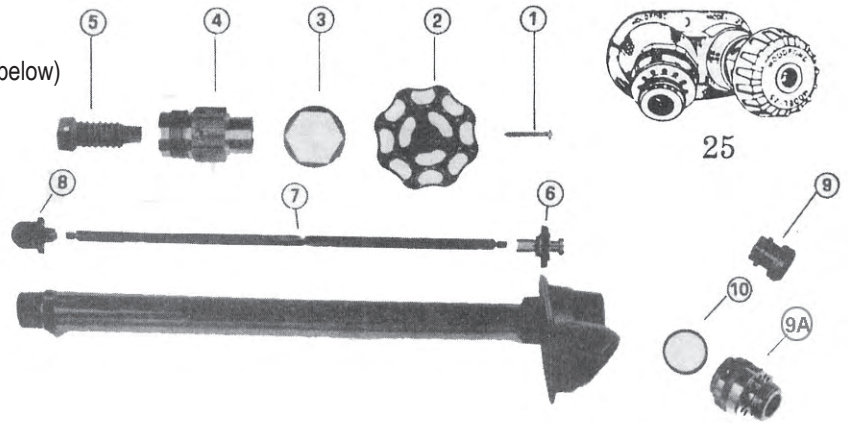
GREENVILLE
800/476-2212

LOOK FOR US ON THE WEB AT: www.TMSSouth.com

PLUMBING VALVES

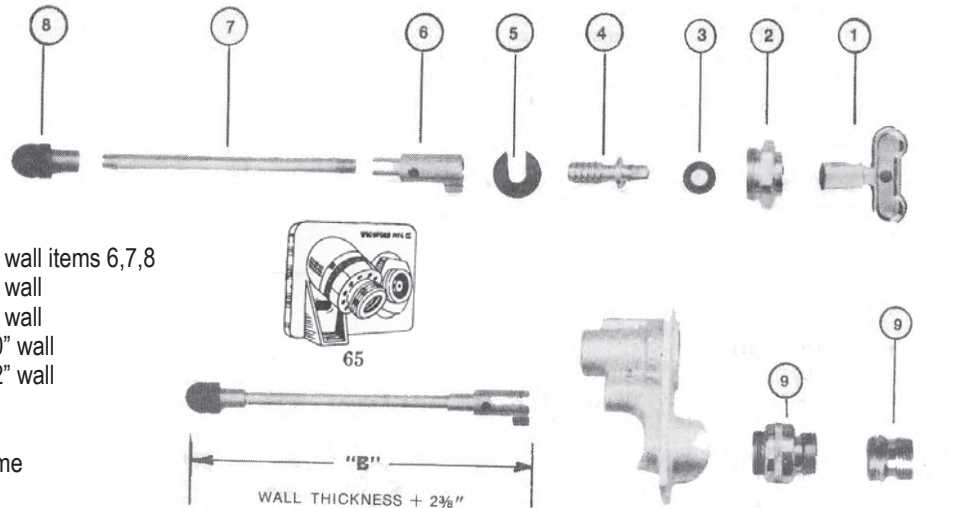
WOODFORD MODEL 20, 25

ITEM	PART #	DESCRIPTION
1	40300318	Handle screw
2	20200146	Wheel handle
3,4,5,6		Head nut assembly (See repair kit below)
7	39950304	Operating rod 4" wall (4-7/16")
	39950306	Operating rod 6" wall (6-7/16")
	39950308	Operating rod 8" wall (8-7/16")
	39950310	Operating rod 10" wall (10-7/16")
	39950312	Operating rod 12" wall (12-7/16")
8	40300153	Plunger assembly
9	39953020	Hose nozzle
9A	40300172	Vacuum breaker
10	39953072	Gasket
	40300167	Repair Kit Items 1-6, 8



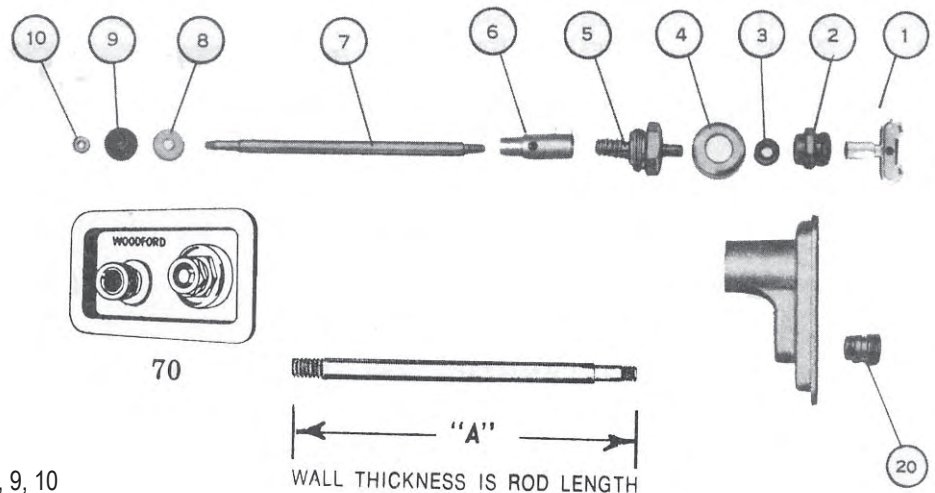
WOODFORD MODEL 60, 65

ITEM	PART #	DESCRIPTION
1	40300212	Tee key
2	40300319	Head nut chrome
3	40300320	Stem washer
4	40300321	Stem screw
5	40300322	"C" washer
6	40300140	Yoke nut
7	39955404	Operation rod assy. 4" wall items 6,7,8
	39955406	Operation rod assy. 6" wall
	39955408	Operation rod assy. 8" wall
	39955410	Operation rod assy. 10" wall
	39955412	Operation rod assy. 12" wall
8	40300154	Plunger
9	40300323	Nozzle-chrome
	40300172	Vacuum breaker-chrome
	40300173	Repair kit items 1-6,8



WOODFORD MODEL 70 (OBSOLETE MDLE. (80,85,90 &95))

ITEM	PART #	DESCRIPTION
1	40300212	Tee handle
2	40300324	Packing nut assembly
3	40300312	Packing
4	40300325	Head nut cover
5	40300326	Head nut assembly
6	40300140	Yoke nut
7	39953304	Operating rod 4" wall
	39953306	Operating rod 6" wall
	39953308	Operating rod 8" wall
	39953310	Operating rod 10" wall
	39953312	Operating rod 12" wall
8	40300327	Plain support washer
9	40300152	Ball valve rubber
10	40300328	Round brass nut
20	39953020	Hose nozzle
	39956120	Repair Kit Items 1-6, 8, 9, 10



**TOTAL
MAINTENANCE
SOLUTIONS**

HOUSTON
800/392-5066

ORLANDO
800/327-3022

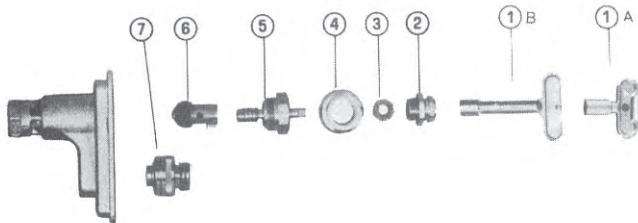
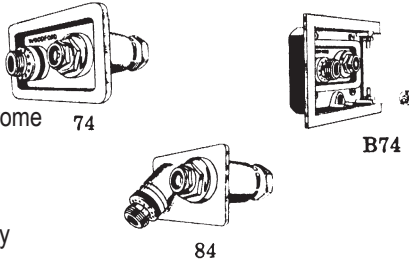
GREENVILLE
800/476-2212

LOOK FOR US ON THE WEB AT: www.TMSSouth.com

PLUMBING VALVES

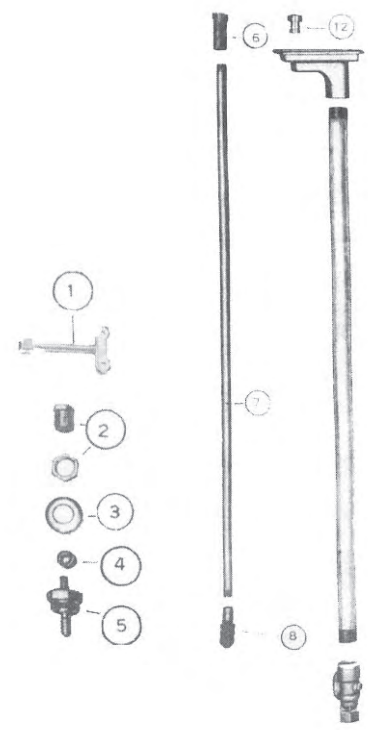
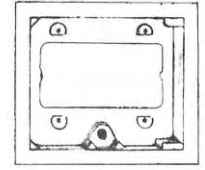
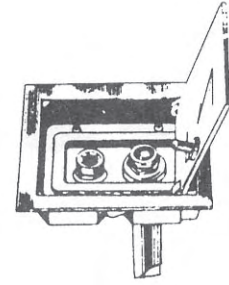
WOODFORD MODEL 74, 84, B74

ITEM	PART #	DESCRIPTION
1a	40300212	Tee key (74, 84)
1b	39950010	Long tee key
2	40300324	Packing nut assembly – Chrome
3	40300312	Packing
4	40300325	Head nut cover – Chrome
5	40300326	Head nut assembly
6	40300151	Yoke nut and valve assembly
7	40300188	Vacuum break – Chrome
	39956130	Repair Kit Items 1a, 2-6



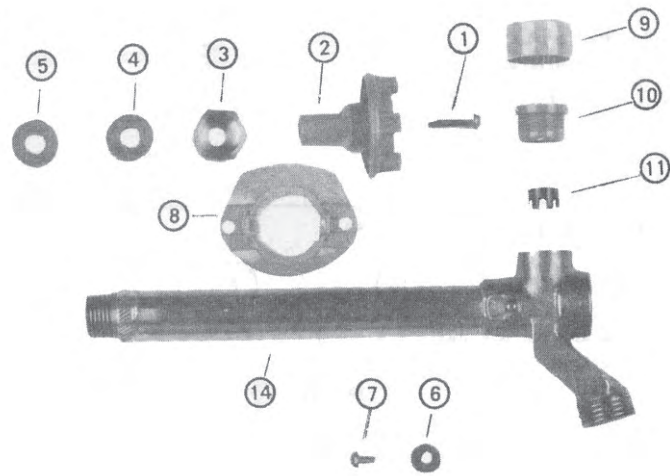
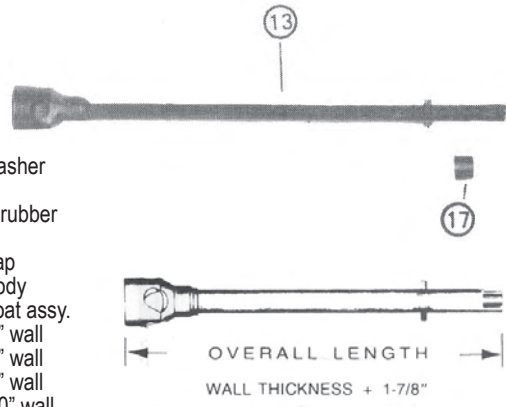
WOODFORD MODEL Y70

ITEM	PART #	DESCRIPTION
1	39950010	Long tee key
2	39955112	Packing nut assembly
3	39951029	Head nut cover
4	40300312	Packing
5	40300326	Head nut assembly
6	39950109	Yoke nut
7		Pipe stem (specify length)
8	40300162	Plunger
12	39950003	Hose nozzle
	39956150	Repair Kit Items 1-6,8



WOODFORD MODEL 17

ITEM	PART #	DESCRIPTION
1	40300313	Handle screw
2	40300215	Wheel handle
3	40300315	Packing nut
4	39952006	Packing
5	39950006	Packing support washer
6	40300316	Valve seat rubber
7	39950009	Retainer screw for rubber
8	40300317	Adjustable flange
9	39950415	Vacuum breaker cap
10	40300329	Vacuum breaker body
11	39956049	Vacuum breaker float assy.
13	39953002	Valve stem assy. 4" wall
	39953004	Valve stem assy. 6" wall
	39953006	Valve stem assy. 8" wall
	39953008	Valve stem assy. 10" wall
	39955005	Valve stem assy. 12" wall
	39995007	Valve stem assy. 14" wall
17	39950420	Spacer
	39956070	Repair Kit Items 1-7, 9-11



HOUSTON
800/392-5066

ORLANDO
800/327-3022

GREENVILLE
800/476-2212

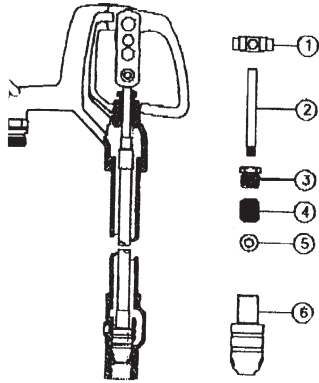
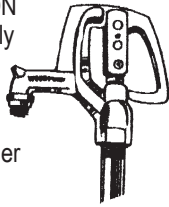
LOOK FOR US ON THE WEB AT: www.TMSSouth.com

PLUMBING VALVES

WOODFORD HYDRANT MODEL W-34

Repair kit for hydrant 39956190

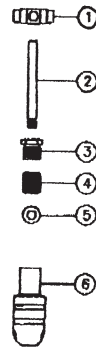
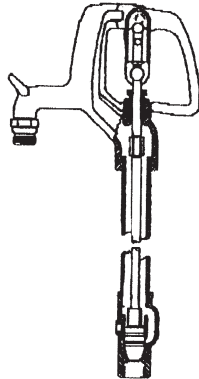
ITEM	DESCRIPTION
1	Pivot assembly
2	Rod stem
3	Packing nut
4	Packing
5	Support washer
6	Plunger



WOODFORD HYDRANT MODEL X-34

Repair kit for hydrant 39956200

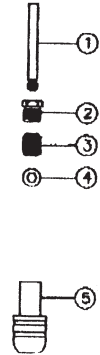
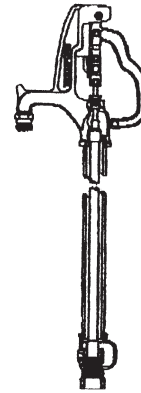
ITEM	DESCRIPTION
1	Pivot assembly
2	Rod stem
3	Packing nut
4	Packing
5	Support washer
6	Plunger



WOODFORD HYDRANT Y-1

Repair kit for hydrant 39956220

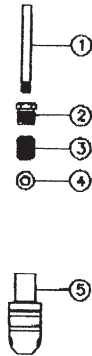
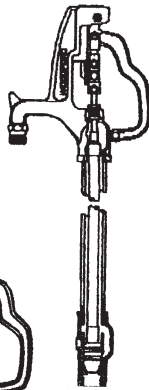
ITEM	DESCRIPTION
1	Rod stem
2	Packing nut
3	Packing
4	Support washer
5	Plunger



WOODFORD HYDRANT MODEL Y-34

Repair kit for hydrant 39956210

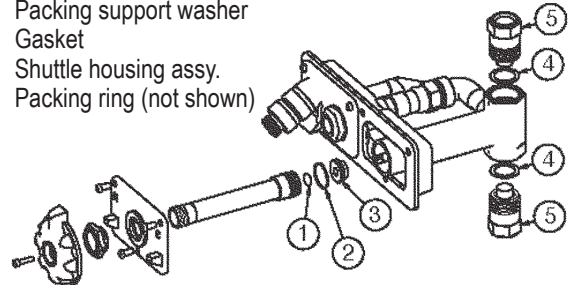
ITEM	DESCRIPTION
1	Rod Stem
2	Packing nut
3	Packing
4	Support Washer
5	Plunger



WOODFORD MODEL HC/HCB HOT & COLD WALL HYDRANT REPAIR KIT

PART # 40300189

ITEM	DESCRIPTION
1	O-ring
2	O-ring
3	Packing support washer
4	Gasket
5	Shuttle housing assy. Packing ring (not shown)

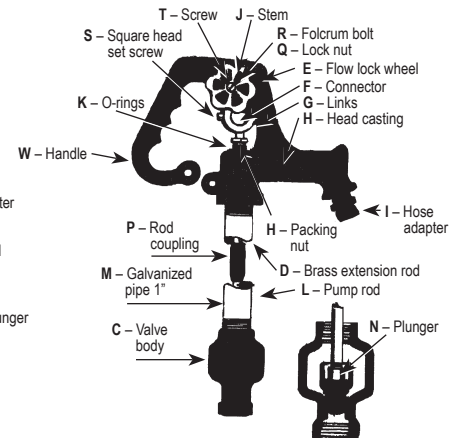
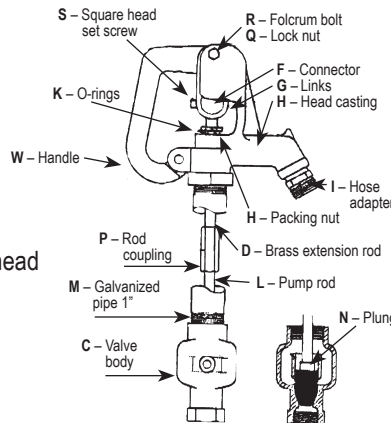


SYMMONS HYDRANT MODEL 800 SERIES & 4800 SERIES

Repair kit for 800 & 4800 series 40300203

All items listed below

ITEM	DESCRIPTION	ITEM	DESCRIPTION
F	Brass connector	N	Plunger
G	Brass link (pr)	Q	Locknut
H	Brass packing nut	R	Fulcrum bolt
K	"O"-ring (pr)	S	Set screw square head



SYMMONS YARD HYDRANT

24" depth
PART # 57234802



HOUSTON
800/392-5066

ORLANDO
800/327-3022

GREENVILLE
800/476-2212

LOOK FOR US ON THE WEB AT: www.TMSSouth.com

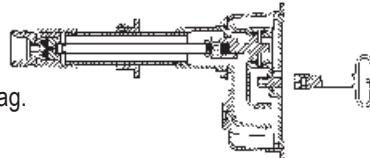
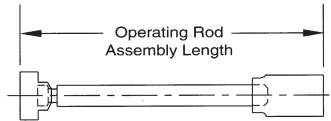
PLUMBING VALVES

ZURN MODEL Z1305

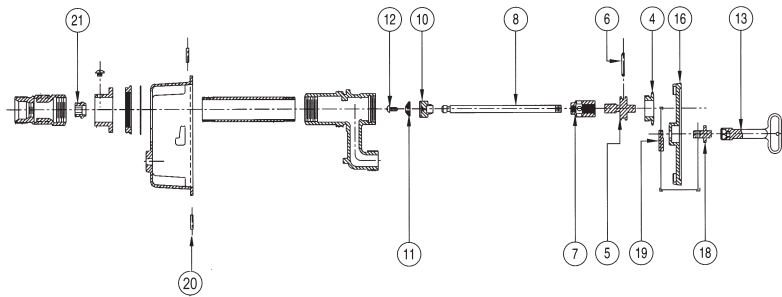
ITEM	PART #	DESCRIPTION
4	39993054	Facenut
*5	40300016	Operating screw
*6	40300014	O-ring
*7	39993057	Operating coupling
8		Operating rod
10		Washer guide
*11	40300331	Washer
*12	39993012	Screw #10-24 N.C.
*13	20200140	Key
18		Locking pin mounting
19		Locking pin
20		Hinge pin (2)
*21	39993021	Removable seat
	39993470	Repair kit

OPERATING ROD ASSEMBLIES

6" wall	6-3/4"
8" wall	8-3/4"
10" wall	10-3/4"
12" wall	12-3/4"

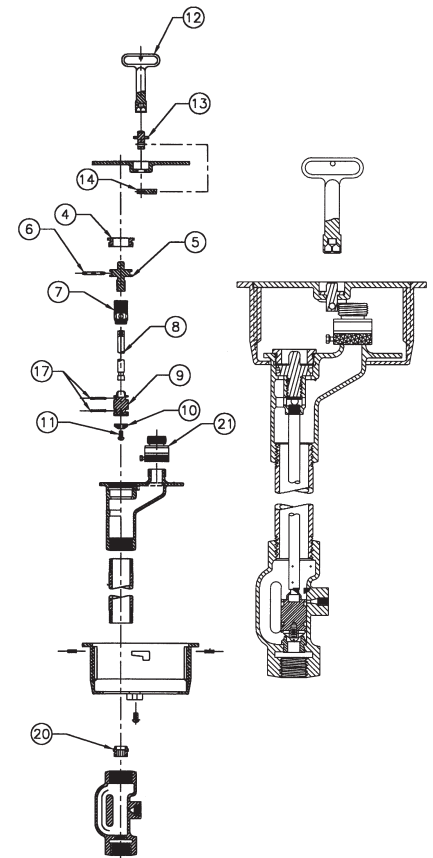


*Items are available in -RK Repair Kit Option bag.



ZURN MODEL Z1361

ITEM	PART #	DESCRIPTION
4	39993054	Facenut
5	40300016	Operating Screw
6	40300014	O-Ring
7	39993057	Operating Coupling
8		Operating Rod
9		Washer guide
10	40300331	Washer
11		Screw #10-24 N.C.
12	20200140	Key
13		Locking Pin Mounting
14		Locking Pin
17		O-Ring
20		Removable Seat
21	40110041	Vacuum Breaker
	39991361	Repair Kit

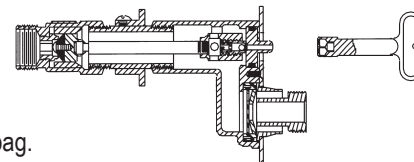
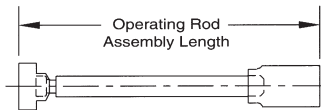


ZURN MODEL Z1310 PARTS LIST

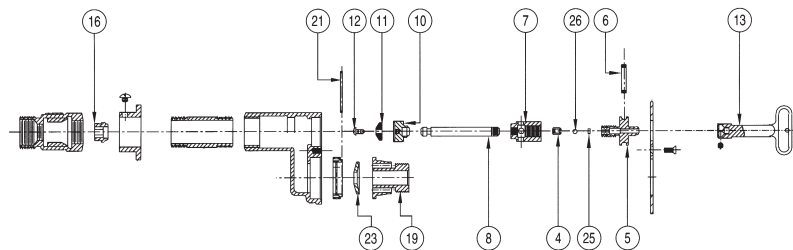
ITEM	PART #	DESCRIPTION
*4		Set screw
*5	40300017	Operating screw
*6	40300014	O-ring
*7	39993057	Operating coupling
8		Operating rod
10		Washer guide
*11	40300331	Washer
*12	39993012	Screw #10-24 N.C.
*13	20200140	Key
*16	39993021	Removable seat
19	50799	3/4" nozzle
*21	23750	Disc o-ring
*23	39990785	"Equa-Balance" seal
*25	23750	Ball o-ring
*26	51458	Ball
	40300170	Repair kit

OPERATING ROD ASSEMBLIES

4" wall	4-3/4"
6" wall	6-3/4"
8" wall	8-3/4"
10" wall	10-3/4"
12" wall	12-3/4"

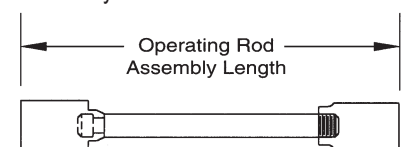


*Items are available in - RK Repair Kit Option bag.



OPERATING ROD ASSEMBLIES

2' Bury	19"
3' Bury	31"
4' Bury	43"



**TOTAL
MAINTENANCE
SOLUTIONS**

HOUSTON
800/392-5066

ORLANDO
800/327-3022

GREENVILLE
800/476-2212

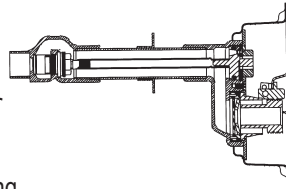
LOOK FOR US ON THE WEB AT: www.TMSSouth.com

PLUMBING VALVES

ZURN MODEL Z1320

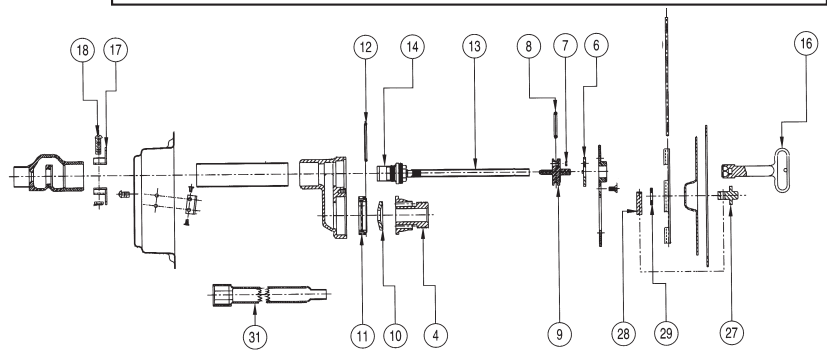
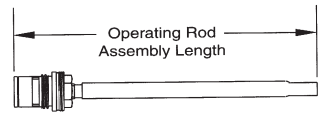
ITEM	PART#	DESCRIPTION
4		3/4" nozzle
*6		Retaining washer
*7	40300014	O-ring
*8	40300014	O-ring
*9	39990227	Operating coupling
*10	39990785	"Equa-Balance" seal
11		Disc
*12	40300014	Disc o-ring
13		Operating tube
14	39999626	Cartridge assembly
*16	20200140	Key
27	25306	Locking pin mounting
28	25307	Locking pin
29	61631	Washer
31	39992078	Cartridge wrench (Optional)
	39991320	Repair kit

*Items are available in - RK Repair Kit Option bag.



OPERATING ROD ASSEMBLIES

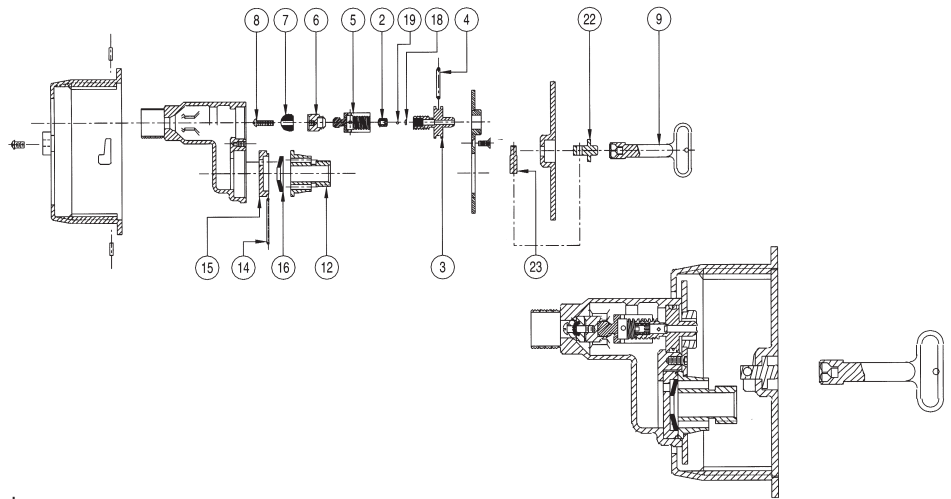
PART # 40300355	6" wall	6-1/8"
PART # 40300556	8" wall	8-1/8"
PART # 40300357	10" wall	10-1/8"
PART # 40300358	12" wall	12-1/8"



ZURN MODEL Z1330-C

ITEM	PART #	DESCRIPTION
*2	39993302	Setscrew
*3	40300017	Operating screw
*4	40300014	O-ring
*5		Operating coupling
*6		Washer guide
*7	39993011	Washer
*8	39993012	Screw #10-24 N.C.
*9	20200140	Key
12		3/4" nozzle
*14		Disc o-ring
15		Disc
*16	39990785	"Equa-Balance" seal
*18		Ball o-ring
*19		Ball
	39993510	Repair Kit

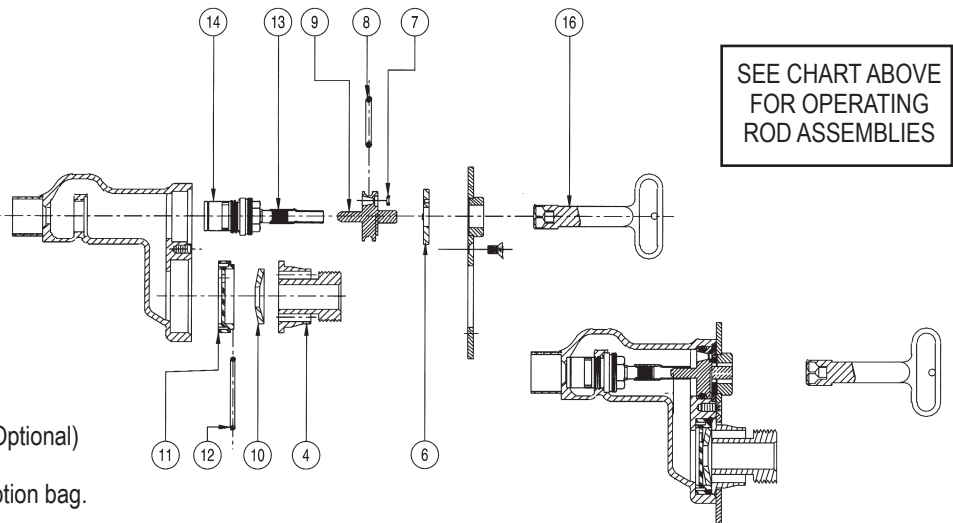
*Items are available in -RK Repair Kit Option bag.



ZURN MODEL Z1333

ITEM	PART #	DESCRIPTION
4		Nozzle
*6		Retaining washer
*7	40300014	O-ring
*8	40300014	O-ring
*9	39990227	Operating coupling
*10	39990785	"Equa-Balance" seal
11		Disc
*12	40300014	Disc o-ring
13		Operating tube
14	39999626	Cartridge assembly
*16	20200140	Key
17	39992078	Cartridge wrench (Optional)
	39991320	Repair kit

*Items are available in -RK Repair Kit Option bag.



**TOTAL
MAINTENANCE
SOLUTIONS**

HOUSTON
800/392-5066

ORLANDO
800/327-3022

GREENVILLE
800/476-2212

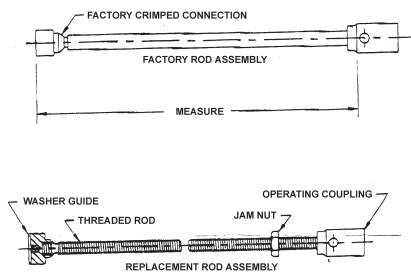
LOOK FOR US ON THE WEB AT: www.TMSSouth.com

PLUMBING VALVES

**PLEASE NOTE
WHEN REPLACING
FACTORY ROD
ASSEMBLY WITH
FIELD REPLACEMENT
ROD ASSEMBLY**

**KITS CONTAIN A FIELD
REPLACEMENT ROD ASSEMBLY.
THE ROD MUST BE CUT TO
LENGTH TO SUIT THE HYDRANT.**

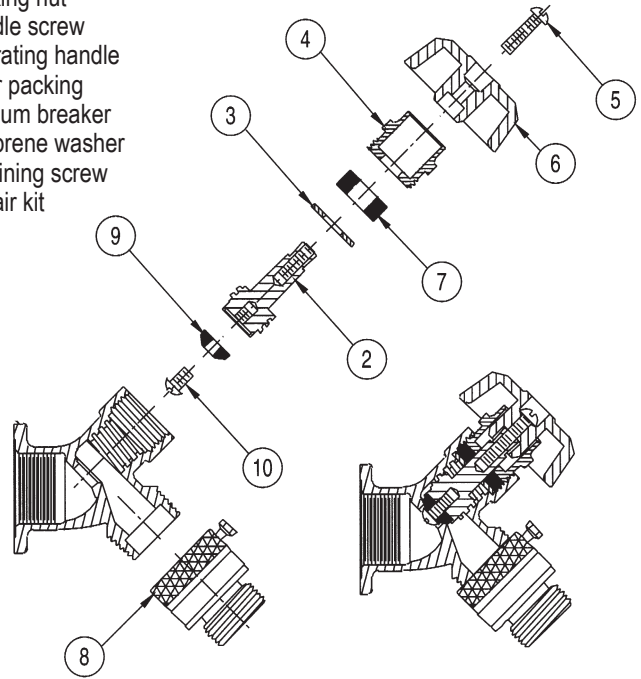
*Complete instructions included with Field
Replacement Rod assembly kit.*



ZURN MODEL Z1341

ITEM	PART #	DESCRIPTION
*2		Operating screw
*3		Washer
*4		Packing nut
*5		Handle screw
6	59472	Operating handle
*7	59544	Fiber packing
8	40110041	Vacuum breaker
*9		Neoprene washer
*10		Retaining screw
	39991341	Repair kit

*Items are available in –
RK Repair Kit Option bag.



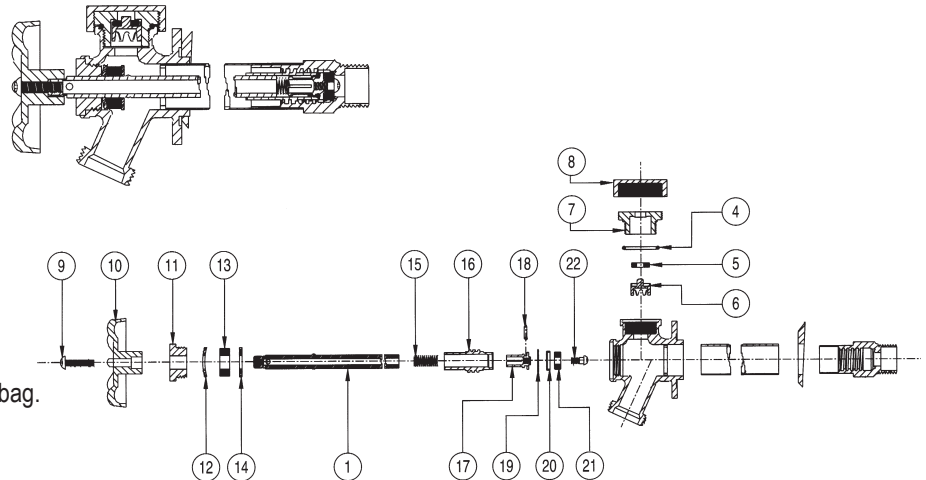
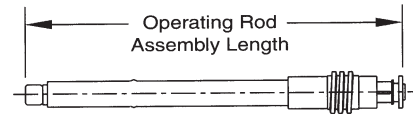
ZURN MODEL Z1345

ITEM	PART #	DESCRIPTION
1		Operating rod
*4		O-ring
*5		Float washer
*6		Float
*7		Bonnet
*8		Vacuum breaker cap
*9		Handle screw
10	39990436	Handle
*11	59474	Packing nut
*12	66279	Concave washer
*13	60823	Packing
*14	14859	Washer
15		Spring
16		Washer housing
17		Washer retainer
18		O-ring
*19		Diaphragm
*20		Seat casing
*21		Rubber washer
*22		Washer screw
	39991345	Repair kit

*Items are available in –RK Repair Kit Option bag.

OPERATING ROD ASSEMBLIES

4" wall	7"
6" wall	9"
8" wall	11"
10" wall	13"
12" wall	15"
14" wall	17"



HOUSTON
800/392-5066

ORLANDO
800/327-3022

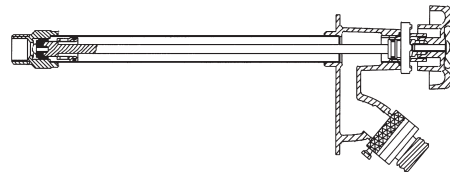
GREENVILLE
800/476-2212

LOOK FOR US ON THE WEB AT: www.TMSSouth.com

PLUMBING VALVES

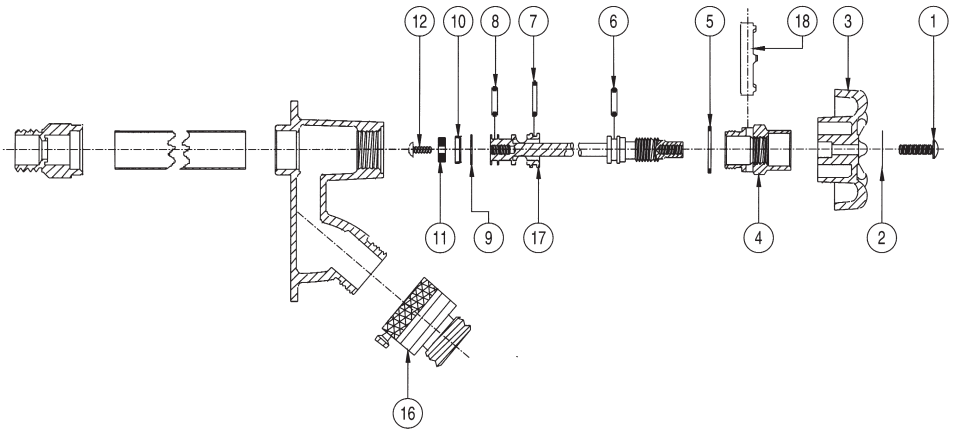
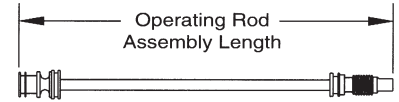
ZURN MODEL Z1346

ITEM	PART #	DESCRIPTION
1	14853	Handle screw
2		Disc
3	39996340	Handle
4		Packing nut
5*		Gasket
6*		O-ring
7*		O-ring
8*		O-ring
9*		Diaphragm
10*		Seat casing
11*		Rubber washer
12*		Washer screw
16	40110041	Vacuum breaker
17		Operating rod
18	39991346	Splash guard
		Repair kit (items marked *)



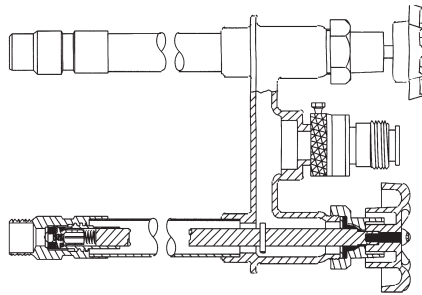
OPERATING ROD ASSEMBLIES

4" wall	7-3/8"
6" wall	9-3/8"
8" wall	11-3/8"
10" wall	13-3/8"
12" wall	15-3/8"



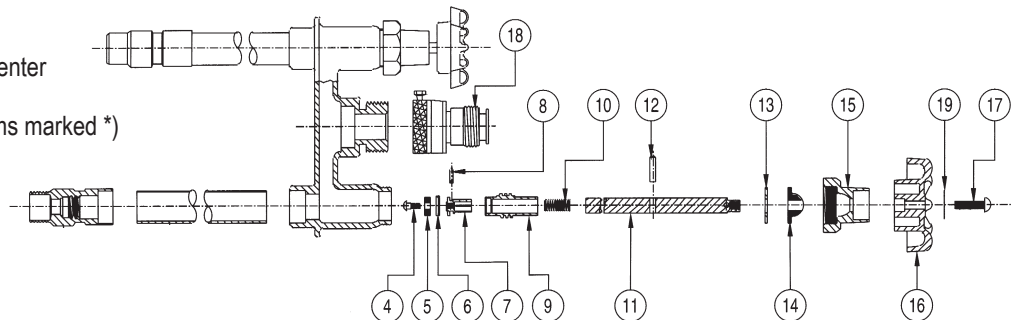
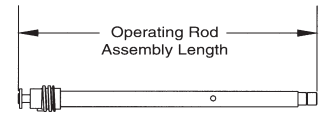
ZURN MODEL Z1348-BFP PARTS LIST

ITEM	PART #	DESCRIPTION
4*	56447	Washer screw
5*	23443	Rubber washer
6*	59475	Seat casing
7		Washer retainer
8*		O-ring
9		Washer housing
10		Spring
11		Operating rod
12		Retaining pin
13*		Washer
14*		Gasket
15		Cap nut
16	39996340	Handle
17*		Handle screw
18	39996319	Backflow preventer
19		Disc
	39991398	Repair kit (items marked *)



OPERATING ROD ASSEMBLIES

4" wall	9-1/4"
6" wall	11-1/4"
8" wall	13-1/4"
10" wall	15-1/4"
12" wall	17-1/4"



**TOTAL
MAINTENANCE
SOLUTIONS**

HOUSTON
800/392-5066

ORLANDO
800/327-3022

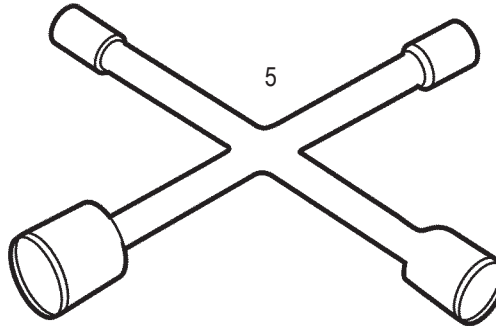
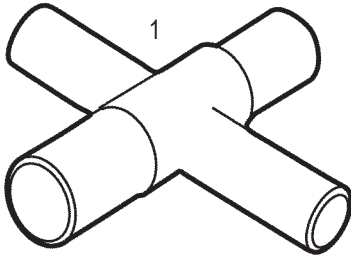
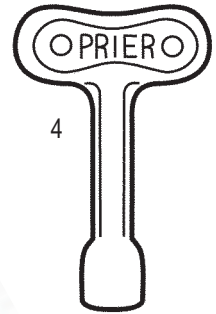
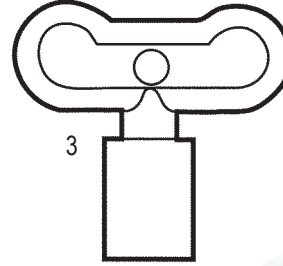
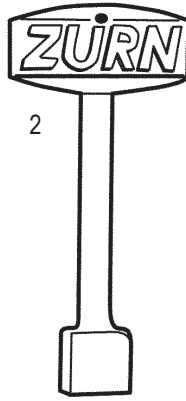
GREENVILLE
800/476-2212

LOOK FOR US ON THE WEB AT: www.TMSSouth.com

PLUMBING VALVES

HYDRANT KEYS

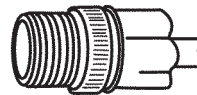
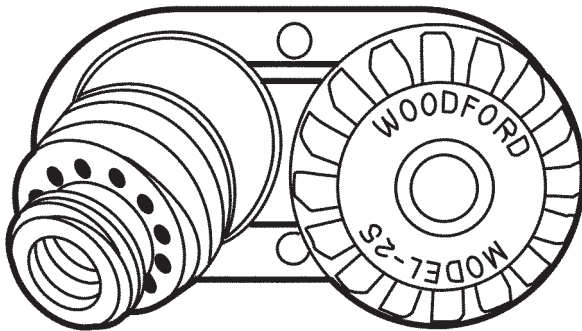
ITEM #	PART #	DESCRIPTION
1	20200004	4-Way key, fits 1/4", 9/32", 5/16" and 11/32" square hydrant stems
2	20200140	Zurn hydrant key, 3/8" square
3	20200136	1/4" Die cast hydrant key (square)
4	20200137	5/16" x 2" square brass key
5	64751020	4-Way loose key wrench – cast brass for square stems 1/4, 1/3", 1/2"
6	64751015	D-Oval key, Prier



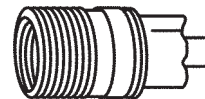
AUTOMATIC DRAINING FREEZELESS WALL FAUCETS WITH VACUUM BREAKER BACKFLOW PREVENTER

PART #	WALL THICKNESS	DESCRIPTION
57951010	4"	Brass finish. Combination 1/2" male pipe x 1/2" female copper
57951020	6"	Brass finish. Combination 1/2" male pipe x 1/2" female copper
57951030	8"	Brass finish. Combination 1/2" male pipe x 1/2" female copper
57951040	10"	Brass finish. Combination 1/2" male pipe x 1/2" female copper
57951050	12"	Brass finish. Combination 1/2" male pipe x 1/2" female copper
57952010	4"	Brass finish. Combination 1/2" female pipe x 3/4" male pipe
57952020	6"	Brass finish. Combination 1/2" female pipe x 3/4" male pipe
57952030	8"	Brass finish. Combination 1/2" female pipe x 3/4" male pipe
57952040	10"	Brass finish. Combination 1/2" female pipe x 3/4" male pipe
57952050	12"	Brass finish. Combination 1/2" female pipe x 3/4" male pipe

FAUCET FREEZE PROTECTOR PART # 57692000



57951010, 57951020,
57951030, 57951040,
57951050



57952010, 57952020,
57952030, 57952040,
57952050



**TOTAL
MAINTENANCE
SOLUTIONS**

HOUSTON
800/392-5066

ORLANDO
800/327-3022

GREENVILLE
800/476-2212

LOOK FOR US ON THE WEB AT: www.TMSSouth.com